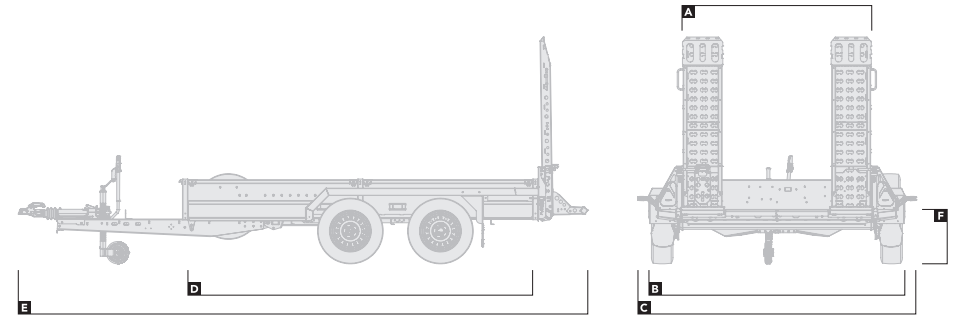


General Plant

Overview



		551-						
		2713-27-2-13	2716-27-2-13	3117-35-2-13	3617-35-2-13	3618-35-3-12	4017-35-2-13	4018-35-3-12
DIMENSIONS		dimensions in metres						
Bed width	A	1.3	1.6	1.7	1.7	1.8	1.7	1.8
Overall width (excl. marker lamp)	B	1.91	2.21	2.31	2.31	2.41	2.31	2.41
Overall width (inc. marker lamp)	C	-	2.4	2.5	2.5	2.6	2.5	2.6
Bed length	D	2.8	2.8	3.2	3.7	3.7	4.1	4.1
Overall length	E	4.4	4.4	4.8	5.3	5.3	5.7	5.7
Bed height	F	0.45	0.45	0.43	0.43	0.43	0.43	0.43
CAPACITY		weight in kg						
Gross capacity		2,700	2,700	3,500	3,500	3,500	3,500	3,500
Load capacity		2,113	2,063	2,766	2,717	2,646	2,698	2,623

Load capacity will vary depending on options fitted - For accurate information on weights and pricing, use our interactive configurator at www.brianjamestrailers.co.uk

