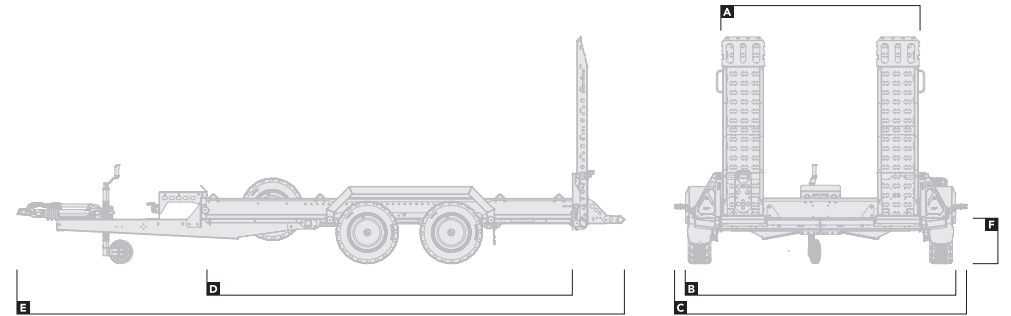


Digger Plant

Overview



		543-	2813-27-2-13	2813-35-2-12	3216-35-2-12	3217-35-2-12	3717-35-2-12
DIMENSIONS		dimensions in metres					
Bed width	A	1.3	1.3	1.6	1.7	1.7	
Overall width (excl. marker lamp)	B	1.78	1.78	2.1	2.32	2.32	
Overall width (inc. marker lamp)	C	–	–	–	2.5	2.5	
Bed length	D	2.8	2.8	3.2	3.2	3.7	
Overall length	E	4.65	4.65	5.2	5.2	5.7	
Bed height	F	0.38	0.4	0.4	0.4	0.4	
CAPACITY		weight in kg					
Gross capacity		2,700	3,500	3,500	3,500	3,500	
Load capacity		2,152	2,893	2,833	2,798	2,736	

Load capacity will vary depending on options fitted -
 For accurate information on weights and pricing, use our interactive configurator at www.brianjamestrailers.co.uk

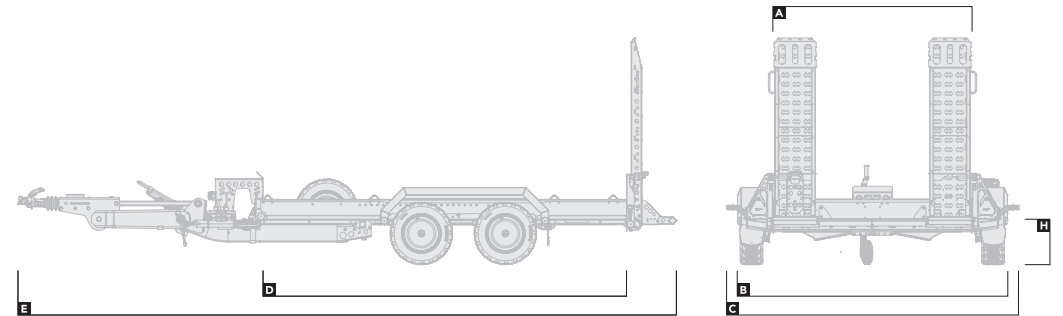
Digger Plant - A

Overview

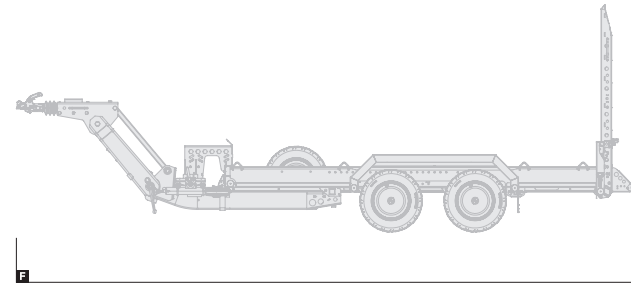
		543-	
		3217-35-2-12-A	
DIMENSIONS		dimensions in metres	
Bed width	A	1.7	
Overall width (excl. marker lamp)	B	2.32	
Overall width (inc. marker lamp)	C	2.5	
Bed length	D	3.2	
Overall length (fully extended)	E	5.64	
Overall length (fully retracted)	F	5.39	
Overall length (60° retracted)	G	5.63	
Bed height	H	0.4	

CAPACITY		weight in kg
Gross capacity		3,500
Load capacity		2,713

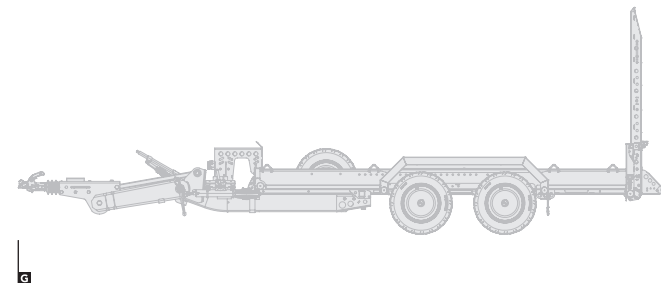
Load capacity will vary depending on options fitted -
 For accurate information on weights and pricing, use our interactive configurator at
www.brianjamestrailers.co.uk



Overall length (fully extended)



Overall length (fully retracted)



Overall length (60° retracted)

Digger Plant

Equipment

	543-				
	2813-27-2-13	2813-35-2-12	3216-35-2-12	3217-35-2-12	3717-35-2-12
EXTERIOR			● Standard ○ Option		
Full exterior LED lighting	●	●	●	●	●
LOADING					
Adjustable loading ramps - 1.62m	●	●	●	●	●
Heavy-duty loading panel - 1.7m	○	○	○	○	○
Chapter 8 chevrons	○	○	○	○	○
Manual / Electric winch	○	○	○	○	○
LOAD RESTRAINT					
Bucket locker	○	○	○	○	○
Bucket rest	●	●	●	●	●
Digger arm lock	○	○	○	○	○
Tie-down straps	○	○	○	○	○
TracStrap	○	○	○	○	○
Heavy-duty TracStrap	○	○	○	○	○
Wheel chocks / Stop bar	○	○	○	○	○
RUNNING GEAR					
Eye coupling	○	○	○	○	○
Locking hitch	●	●	●	●	●
Spare wheel	●	●	●	●	●

Loading angles

	543-				
	2813-27-2-13	2813-35-2-12	3216-35-2-12	3217-35-2-12	3717-35-2-12
Adjustable loading ramps - 1.62m	14.5°	13.5°	13.5°	13.5°	13.5°
Heavy-duty loading panel - 1.7m	16°	15°	15°	15°	15°