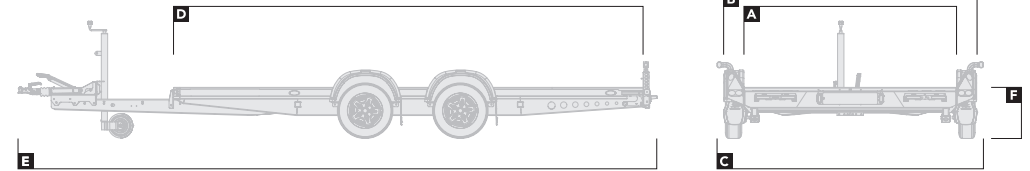


# Trailer specifications

'26

# A Transporter

## Overview



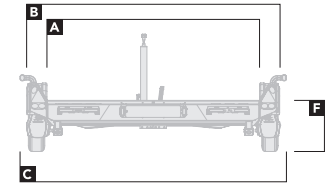
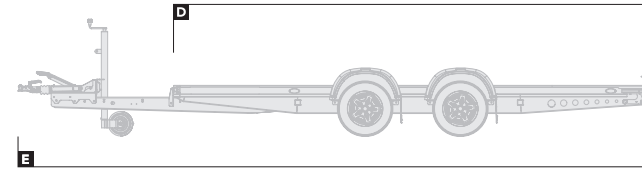
		130-	4019-27-2-12	4519-27-2-12	4519-30-2-12	4520-30-2-12	4521-30-2-12	5020-30-2-12	5020-35-2-12	5021-30-2-12	5021-35-2-12	5520-30-2-12
<b>DIMENSIONS</b>			dimensions in metres									
Bed width	<b>A</b>	1.9	1.9	1.9	2	2.1	2	2	2	2.1	2.1	2
Overall width (excl. marker lamp)	<b>B</b>	2.29	2.29	2.29	2.39	2.49	2.39	2.39	2.39	2.49	2.49	2.39
Overall width (inc. marker lamp)	<b>C</b>	2.64	2.64	2.64	2.74	2.84	2.74	2.74	2.74	2.84	2.84	2.74
Bed length	<b>D</b>	4.03	4.53	4.53	4.53	4.53	5.03	5.03	5.03	5.03	5.03	5.53
Overall length	<b>E</b>	5.7	6.2	6.2	6.2	6.2	6.7	6.7	6.7	6.7	6.7	7.2
Bed height	<b>F</b>	0.52	0.52	0.52	0.52	0.52	0.52	0.52	0.5	0.52	0.5	0.52
<b>CAPACITY</b>			weight in kg									
Gross capacity		2,700	2,700	3,000	3,000	3,000	3,000	3,500	3,500	3,000	3,500	3,000
Load capacity		1,955	1,945	2,245	2,230	2,215	2,200	2,665	2,665	2,180	2,645	2,165
<b>LOADING ANGLES</b>												
Fixed bed		11.5°	11.5°	11.5°	11.5°	11.5°	11.5°	11.5°	10.5°	11.5°	10.5°	11.5°
Tilt bed		7.5°	7.5°	7.5°	7.5°	7.5°	7.5°	7.5°	7.5°	7.5°	7.5°	7.5°

Load capacity will vary depending on options fitted - For accurate information on weights and pricing, use our interactive configurator at [www.brianjamestrailers.co.uk](http://www.brianjamestrailers.co.uk)

# A Transporter

## Overview cont.

		130-		
		5520-35-2-12	5521-30-2-12	5521-35-2-12
<b>DIMENSIONS</b>		dimensions in metres		
Bed width	<b>A</b>	2	2.1	2.1
Overall width (excl. marker lamp)	<b>B</b>	2.39	2.49	2.49
Overall width (inc. marker lamp)	<b>C</b>	2.74	2.84	2.84
Bed length	<b>D</b>	5.53	5.53	5.53
Overall length	<b>E</b>	7.2	7.2	7.2
Bed height	<b>F</b>	0.5	0.52	0.5
<b>CAPACITY</b>		weight in kg		
Gross capacity		3,500	3,000	3,500
Load capacity		2,630	2,140	2,605
<b>LOADING ANGLES</b>				
Fixed bed		10.5°	11.5°	10.5°
Tilt bed		7.5°	7.5°	7.5°



Load capacity will vary depending on options fitted - For accurate information on weights and pricing, use our interactive configurator at [www.brianjamestrailers.co.uk](http://www.brianjamestrailers.co.uk)



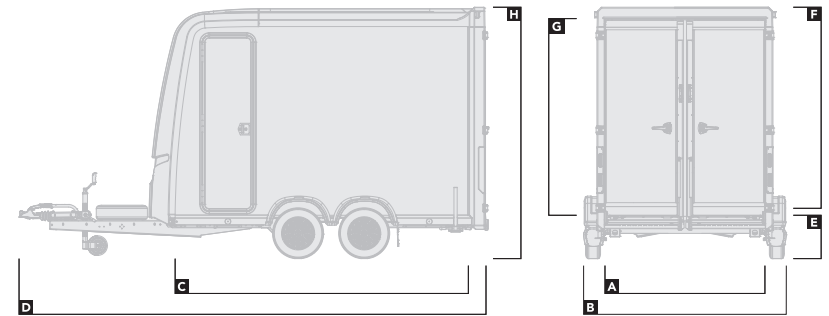
# A Transporter

## Equipment cont.

	130-	5520-35-2-12	5521-30-2-12	5521-35-2-12
<b>DECK</b> <input checked="" type="radio"/> Standard <input type="radio"/> Option				
Slick pads x4	<input type="radio"/>	<input type="radio"/>	<input type="radio"/>	<input type="radio"/>
<b>EXTERIOR</b>				
Body trim available in Blue, Red, Anthracite, Black & Yellow	<input checked="" type="radio"/>	<input checked="" type="radio"/>	<input checked="" type="radio"/>	<input checked="" type="radio"/>
Full LED lighting	<input checked="" type="radio"/>	<input checked="" type="radio"/>	<input checked="" type="radio"/>	<input checked="" type="radio"/>
<b>LOADING</b>				
Loading ramps - 2m	<input checked="" type="radio"/>	<input checked="" type="radio"/>	<input checked="" type="radio"/>	<input checked="" type="radio"/>
Manual / Electric tilt-bed	<input type="radio"/>	<input type="radio"/>	<input type="radio"/>	<input type="radio"/>
Manual / Electric winch	<input type="radio"/>	<input type="radio"/>	<input type="radio"/>	<input type="radio"/>
Support stands	<input checked="" type="radio"/>	<input checked="" type="radio"/>	<input checked="" type="radio"/>	<input checked="" type="radio"/>
<b>LOAD RESTRAINT</b>				
Tie-down straps	<input type="radio"/>	<input type="radio"/>	<input type="radio"/>	<input type="radio"/>
Wheel chocks	<input type="radio"/>	<input type="radio"/>	<input type="radio"/>	<input type="radio"/>
<b>RUNNING GEAR</b>				
Alloy wheels - Anthracite	<input checked="" type="radio"/>	<input checked="" type="radio"/>	<input checked="" type="radio"/>	<input checked="" type="radio"/>
Steel wheels	<input type="radio"/>	<input type="radio"/>	<input type="radio"/>	<input type="radio"/>
Spare wheel	<input checked="" type="radio"/>	<input checked="" type="radio"/>	<input checked="" type="radio"/>	<input checked="" type="radio"/>
Locking hitch	<input checked="" type="radio"/>	<input checked="" type="radio"/>	<input checked="" type="radio"/>	<input checked="" type="radio"/>
<b>STORAGE</b>				
Deck storage	<input checked="" type="radio"/>	<input checked="" type="radio"/>	<input checked="" type="radio"/>	<input checked="" type="radio"/>
Fuel can storage	<input type="radio"/>	<input type="radio"/>	<input type="radio"/>	<input type="radio"/>
Tyre rack	<input type="radio"/>	<input type="radio"/>	<input type="radio"/>	<input type="radio"/>

# Box Van

## Overview



	600-									
	3016-27-2-12-B	3016-27-2-12-W	3516-27-2-12-B	3516-27-2-12-W	3518-27-2-12-B	3518-27-2-12-W	4018-27-2-12-B	4018-27-2-12-W	4018-35-2-12-B	4018-35-2-12-W
Body colour	Black	White	Black	White	Black	White	Black	White	Black	White

DIMENSIONS		dimensions in metres									
Bed width	A	1.60	1.60	1.60	1.60	1.80	1.80	1.80	1.80	1.80	1.80
Overall width	B	2.08	2.08	2.08	2.08	2.28	2.28	2.28	2.28	2.28	2.28
Bed length	C	3.00	3.00	3.50	3.50	3.50	3.50	4.00	4.00	4.00	4.00
Overall length	D	4.87	4.87	5.37	5.37	5.37	5.37	5.87	5.87	5.89	5.89
Bed height	E	0.44	0.44	0.44	0.44	0.44	0.44	0.44	0.44	0.44	0.44
Internal height	F	2.00	2.00	2.00	2.00	2.00	2.00	2.00	2.00	2.00	2.00
Door aperture height	G	1.99	1.99	1.99	1.99	1.99	1.99	1.99	1.99	1.99	1.99
Overall height	H	2.59	2.59	2.59	2.59	2.59	2.59	2.59	2.59	2.59	2.59

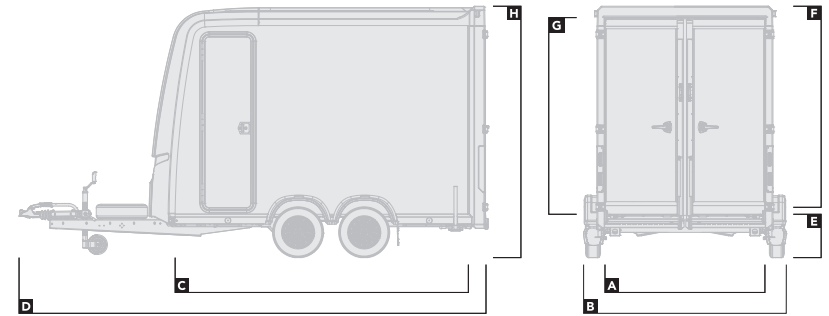
CAPACITY		weight in kg									
Gross capacity		2,700	2,700	2,700	2,700	2,700	2,700	2,700	2,700	3,500	3,500
Load capacity		1,845	1,845	1,790	1,790	1,740	1,740	1,680	1,680	2,445	2,445

LOADING ANGLES		- Not available									
Fixed bed		10°	10°	10°	10°	10°	10°	10°	10°	10°	10°
Tilt bed		-	-	-	-	-	-	-	-	-	-

Load capacity will vary depending on options fitted - For accurate information on weights and pricing, use our interactive configurator at [www.brianjamestrailers.co.uk](http://www.brianjamestrailers.co.uk)

# Box Van

## Overview cont.



	600-					
	4519-30-2-12-B	4519-30-2-12-W	4519-35-2-12-B	4519-35-2-12-W	5019-35-2-12-B	5019-35-2-12-W
Body colour	Black	White	Black	White	Black	White

DIMENSIONS cont.		dimensions in metres					
Bed width	A	1.95	1.95	1.95	1.95	1.95	1.95
Overall width	B	2.43	2.43	2.43	2.43	2.43	2.43
Bed length	C	4.50	4.50	4.50	4.50	5.00	5.00
Overall length	D	6.37	6.37	6.39	6.39	6.79	6.79
Bed height	E	0.44	0.44	0.44	0.44	0.44	0.44
Internal height	F	2.00	2.00	2.00	2.00	2.00	2.00
Door aperture height	G	1.99	1.99	1.99	1.99	1.99	1.99
Overall height	H	2.59	2.59	2.59	2.59	2.59	2.59

CAPACITY cont.		weight in kg					
Gross capacity		3,000	3,000	3,500	3,500	3,500	3,500
Load capacity		1,875	1,875	2,355	2,355	2,270	2,270

LOADING ANGLES		- Not available					
Fixed bed		10°	10°	10°	10°	10°	10°
Tilt bed		-	-	-	-	-	-

Load capacity will vary depending on options fitted - For accurate information on weights and pricing, use our interactive configurator at [www.brianjamestrailers.co.uk](http://www.brianjamestrailers.co.uk)

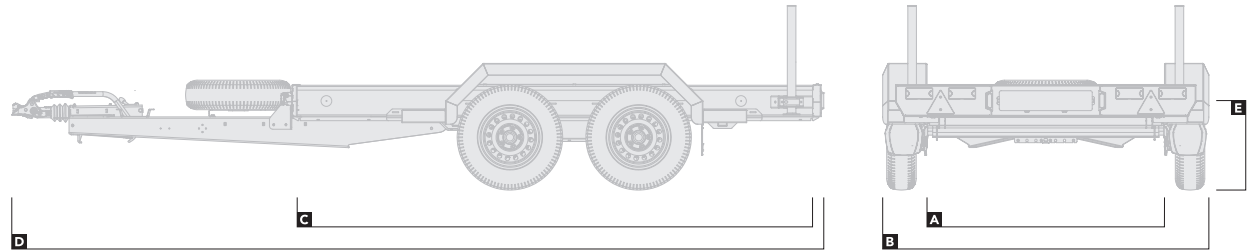


# Box Van

## Equipment

	600-					
	4519-30-2-12-B	4519-30-2-12-W	4519-35-2-12-B	4519-35-2-12-W	5019-35-2-12-B	5019-35-2-12-W
<b>ACCESSORIES</b>						
	● Standard ○ Option – Not available					
Rear-view camera	○	○	○	○	○	○
Spare wheel cover	○	○	○	○	○	○
<b>DECK</b>						
Aluminium deck overly	○	○	○	○	○	○
<b>EXTERIOR</b>						
Full LED lighting	●	●	●	●	●	●
Gullwing side doors	–	–	–	–	–	–
Pedestrian doors	●	●	●	●	●	●
Side step	○	○	○	○	○	○
Side step x2	○	○	○	○	○	○
<b>INTERIOR</b>						
Full LED lighting	●	●	●	●	●	●
<b>LOADING</b>						
Multi-function rear doors	●	●	●	●	●	●
Support stands	●	●	●	●	●	●
<b>LOAD RESTRAINT</b>						
Bicycle stand	○	○	○	○	○	○
Bicycle stand x2	○	○	○	○	○	○
Kart racking and wheel storage	○	○	○	○	○	○
Load lock rails	●	●	●	●	●	●
Load lock rails - High and low	○	○	○	○	○	○
Motorcycle stand	○	○	○	○	○	○
Motorcycle stand x2	○	○	○	○	○	○
Shoring pole	○	○	○	○	○	○
<b>RUNNING GEAR</b>						
Alloy wheels - Anthracite	●	●	●	●	●	●
Steel wheels	○	○	○	○	○	○
Locking hitch	●	●	●	●	●	●
<b>STORAGE</b>						
Store station	○	○	○	○	○	○

# Chassis Plant



## Overview

		560-	
		2813-27-2-13	3813-35-2-12
DIMENSIONS		dimensions in metres	
Bed width	A	1.3	1.3
Overall width	B	1.83	1.94
Bed length	C	2.8	3.8
Overall length	D	4.56	5.52
Bed height	E	0.47	0.44
CAPACITY		weight in kg	
Gross capacity		2,700	3,500
Load capacity		2,240	2,975

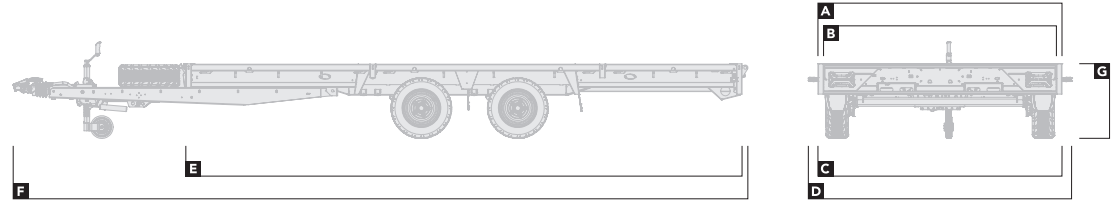
Load capacity will vary depending on options fitted - For accurate information on weights and pricing, use our interactive configurator at [www.brianjamestrailers.co.uk](http://www.brianjamestrailers.co.uk)

## Equipment

		560-	
		2813-27-2-13	3813-35-2-12
EXTERIOR		● Standard ○ Option	
4x adjustable cross members		●	●
Full LED lighting		●	●
Heavy-duty metal mudguards		●	●
LOADING			
Front support stands		○	●
Rear support stands		●	●
RUNNING GEAR			
40mm eye coupling		○	○
Locking hitch		●	●
Spare wheel		●	●
Wheel nut indicators		●	●

# Connect

## Overview



		476-									
		3118-30-2-10	3618-30-2-10	3620-35-2-12	4020-35-2-12	4021-35-2-12	4521-35-3-10	4521-35-2-12	5021-35-3-10	5021-35-2-12	5021-35-3-12
<b>DIMENSIONS</b>		dimensions in metres									
Bed width (excl. sides)	<b>A</b>	1.88	1.88	1.99	1.92	2.13	2.13	2.13	2.13	2.13	2.13
Bed width (inc. sides)	<b>B</b>	1.78	1.78	1.89	1.82	2.03	2.03	2.03	2.03	2.03	2.03
Overall width (excl. marker lamp)	<b>C</b>	1.9	1.9	2.01	2.01	2.15	2.15	2.15	2.15	2.15	2.15
Overall width (inc. marker lamp)	<b>D</b>	-	-	2.18	2.18	2.32	2.32	2.32	2.32	2.32	2.32
Bed length	<b>E</b>	3.17	3.67	3.67	4.07	4.07	4.59	4.59	5.07	5.07	5.07
Overall length	<b>F</b>	4.74	5.24	5.27	5.67	5.94	6.13	6.13	6.58	6.58	6.58
Bed height	<b>G</b>	0.59	0.59	0.65	0.65	0.65	0.59	0.65	0.59	0.65	0.59

<b>CAPACITY</b>		weight in kg									
Gross capacity		3,000	3,000	3,500	3,500	3,500	3,500	3,500	3,500	3,500	3,500
Load capacity		2,425	2,400	2,825	2,785	2,755	2,665	2,725	2,635	2,695	2,625

		5022-35-3-10	5022-35-2-12	5022-35-3-12	5521-35-3-10	5521-35-2-12	5521-35-3-12	5522-35-3-10	5522-35-2-12	5522-35-3-12	5524-35-3-12
<b>DIMENSIONS</b>		dimensions in metres									
Bed width (excl. sides)	<b>A</b>	2.27	2.27	2.27	2.13	2.13	2.13	2.27	2.27	2.27	2.41
Bed width (inc. sides)	<b>B</b>	2.17	2.17	2.17	2.03	2.03	2.03	2.17	2.17	2.17	2.31
Overall width (excl. marker lamp)	<b>C</b>	2.29	2.29	2.29	2.15	2.15	2.15	2.29	2.29	2.29	2.43
Overall width (inc. marker lamp)	<b>D</b>	2.46	2.46	2.46	2.32	2.32	2.32	2.46	2.46	2.46	2.6
Bed length	<b>E</b>	5.07	5.07	5.07	5.57	5.57	5.57	5.57	5.57	5.57	5.57
Overall length	<b>F</b>	6.58	6.58	6.58	7.17	7.17	7.17	7.17	7.17	7.17	7.17
Bed height	<b>G</b>	0.59	0.65	0.65	0.59	0.65	0.65	0.59	0.65	0.65	0.65

<b>CAPACITY</b>		weight in kg									
Gross capacity		3,500	3,500	3,500	3,500	3,500	3,500	3,500	3,500	3,500	3,500
Load capacity		2,605	2,665	2,595	2,605	2,665	2,595	2,575	2,635	2,565	2,535

Load capacity will vary depending on options fitted - For accurate information on weights and pricing, use our interactive configurator at [www.brianjamestrailers.co.uk](http://www.brianjamestrailers.co.uk)

# Connect

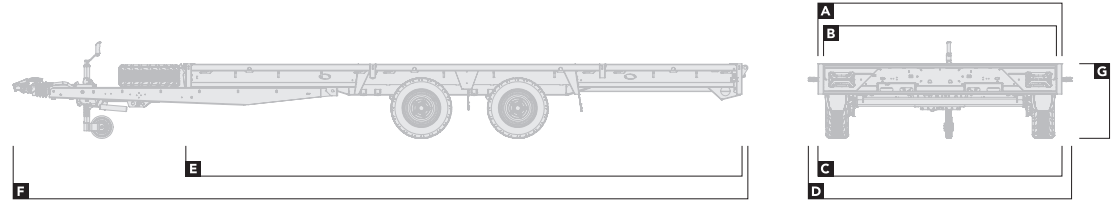
## Overview cont.

		476-	
		6022-35-3-12	6024-35-3-12
DIMENSIONS		dimensions in metres	
Bed width (excl. sides)	<b>A</b>	2.27	2.41
Bed width (inc. sides)	<b>B</b>	2.17	2.31
Overall width (excl. marker lamp)	<b>C</b>	2.29	2.43
Overall width (inc. marker lamp)	<b>D</b>	2.46	2.6
Bed length	<b>E</b>	6.09	6.09
Overall length	<b>F</b>	7.63	7.63
Bed height	<b>G</b>	0.65	0.65

CAPACITY		weight in kg	
Gross capacity		3,500	3,500
Load capacity		2,535	2,505

Load capacity will vary depending on options fitted -  
 For accurate information on weights and pricing, use our interactive configurator at  
[www.brianjamestrailers.co.uk](http://www.brianjamestrailers.co.uk)







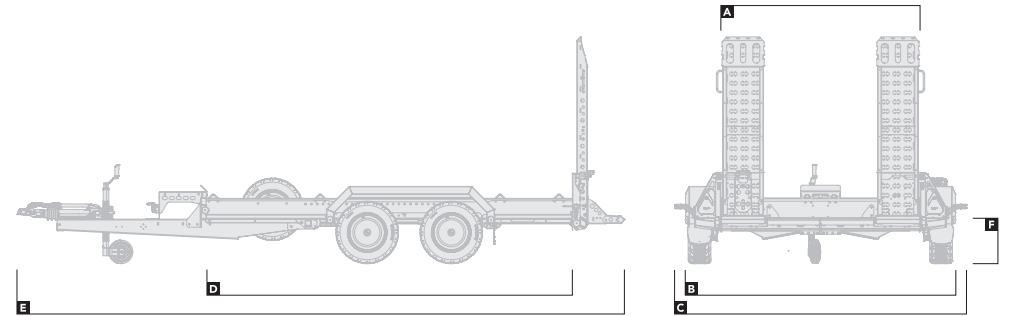
# Connect

## Equipment cont.

	476-	
	6022-35-3-12	6024-35-3-12
	● Standard	○ Option
<b>EXTERIOR</b>		
Body trim available in Blue, Red, Anthracite, Black & Yellow	●	●
Full exterior LED lighting	●	●
<b>DECK</b>		
Deck storage	○	○
<b>LOADING</b>		
Battery w/ charger	○	○
Loading ramps - 1.8m	○	○
Loading ramps - 2.35m	○	○
Tail panel - 0.77m	○	○
Tail panel torsion bar	○	○
Tail panel assistor ramps	○	○
High-mesh tail panel - 1.66m	○	○
High-mesh tail panel - 1.8m	○	○
Manual / Electric tilt-bed	○	○
Manual / Electric winch	○	○
Support stands	○	○
<b>LOAD RESTRAINT</b>		
Tie-down straps	○	○
Wheel chocks / Stop bar	○	○
<b>OPTION PACKS</b>		
<b>Electric assistance pack</b> - includes: Electric winch, hydraulics, on-board battery & battery charger	○	○
<b>RUNNING GEAR</b>		
Alloy wheels - Anthracite	○	○
Eye coupling	○	○
Locking hitch	●	●
Spare wheel	●	●
<b>SIDES</b>		
Dropsides - available in 5 colours	○	○
Headboard - available in 5 colours	○	○
Ladder rack	○	○
Side extensions	○	○

# Digger Plant

## Overview



		543-	2813-27-2-13	2813-35-2-12	3216-35-2-12	3217-35-2-12	3717-35-2-12
<b>DIMENSIONS</b>		dimensions in metres					
Bed width	<b>A</b>	1.3	1.3	1.6	1.7	1.7	
Overall width (excl. marker lamp)	<b>B</b>	1.78	1.78	2.1	2.32	2.32	
Overall width (inc. marker lamp)	<b>C</b>	–	–	–	2.5	2.5	
Bed length	<b>D</b>	2.8	2.8	3.2	3.2	3.7	
Overall length	<b>E</b>	4.65	4.65	5.2	5.2	5.7	
Bed height	<b>F</b>	0.38	0.4	0.4	0.4	0.4	
<b>CAPACITY</b>		weight in kg					
Gross capacity		2,700	3,500	3,500	3,500	3,500	
Load capacity		2,152	2,893	2,833	2,798	2,736	

Load capacity will vary depending on options fitted -  
 For accurate information on weights and pricing, use our interactive configurator at [www.brianjamestrailers.co.uk](http://www.brianjamestrailers.co.uk)

# Digger Plant - A

## Overview

543-

3217-35-2-12-A

## DIMENSIONS

dimensions in metres

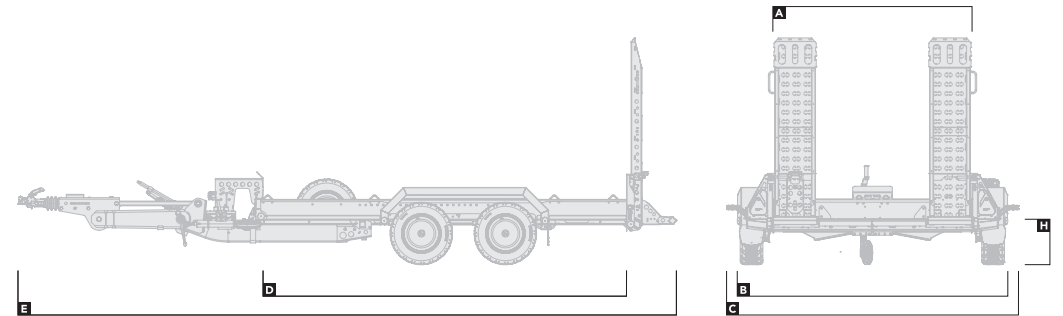
Bed width	<b>A</b>	1.7
Overall width (excl. marker lamp)	<b>B</b>	2.32
Overall width (inc. marker lamp)	<b>C</b>	2.5
Bed length	<b>D</b>	3.2
Overall length (fully extended)	<b>E</b>	5.64
Overall length (fully retracted)	<b>F</b>	5.39
Overall length (60° retracted)	<b>G</b>	5.63
Bed height	<b>H</b>	0.4

## CAPACITY

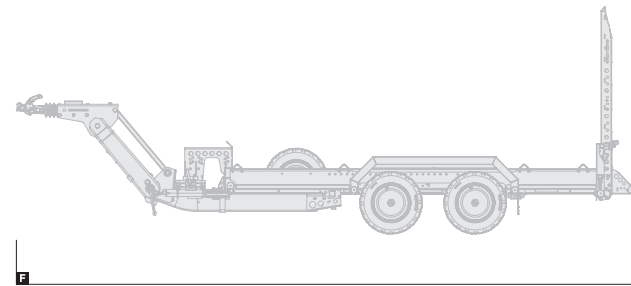
weight in kg

Gross capacity	3,500
Load capacity	2,713

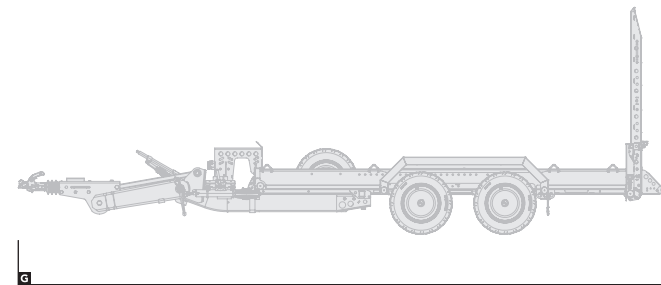
Load capacity will vary depending on options fitted -  
For accurate information on weights and pricing, use our interactive configurator at  
[www.brianjamestrailers.co.uk](http://www.brianjamestrailers.co.uk)



Overall length (fully extended)



Overall length (fully retracted)



Overall length (60° retracted)

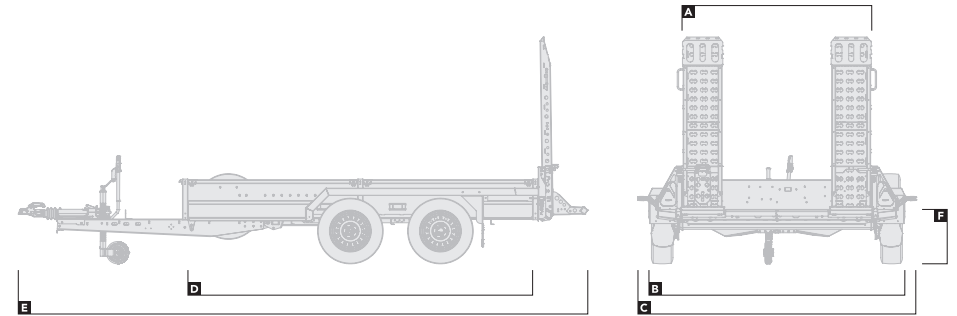
# Digger Plant

## Equipment

	543-	2813-27-2-13	2813-35-2-12	3217-35-2-12	3717-35-2-12
<b>EXTERIOR</b>			● Standard	○ Option	
Full exterior LED lighting	●	●	●	●	●
<b>LOADING</b>					
Adjustable loading ramps - 1.62m	●	●	●	●	●
Heavy-duty loading panel - 1.7m	○	○	○	○	○
Chapter 8 chevrons	○	○	○	○	○
Manual / Electric winch	○	○	○	○	○
<b>LOAD RESTRAINT</b>					
Bucket locker	○	○	○	○	○
Bucket rest	●	●	●	●	●
Digger arm lock	○	○	○	○	○
Tie-down straps	○	○	○	○	○
TracStrap	○	○	○	○	○
Heavy-duty TracStrap	○	○	○	○	○
Wheel chocks / Stop bar	○	○	○	○	○
<b>RUNNING GEAR</b>					
Eye coupling	○	○	○	○	○
Locking hitch	●	●	●	●	●
Spare wheel	●	●	●	●	●

# General Plant

## Overview



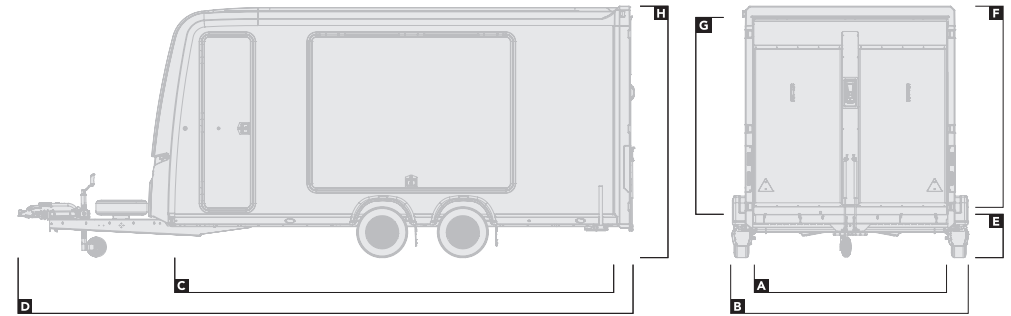
		551-						
		2713-27-2-13	2716-27-2-13	3117-35-2-13	3617-35-2-13	3618-35-3-12	4017-35-2-13	4018-35-3-12
<b>DIMENSIONS</b>		dimensions in metres						
Bed width	<b>A</b>	1.3	1.6	1.7	1.7	1.8	1.7	1.8
Overall width (excl. marker lamp)	<b>B</b>	1.91	2.21	2.31	2.31	2.41	2.31	2.41
Overall width (inc. marker lamp)	<b>C</b>	-	2.4	2.5	2.5	2.6	2.5	2.6
Bed length	<b>D</b>	2.8	2.8	3.2	3.7	3.7	4.1	4.1
Overall length	<b>E</b>	4.4	4.4	4.8	5.3	5.3	5.7	5.7
Bed height	<b>F</b>	0.45	0.45	0.43	0.43	0.43	0.43	0.43
<b>CAPACITY</b>		weight in kg						
Gross capacity		2,700	2,700	3,500	3,500	3,500	3,500	3,500
Load capacity		2,113	2,063	2,766	2,717	2,646	2,698	2,623

Load capacity will vary depending on options fitted - For accurate information on weights and pricing, use our interactive configurator at [www.brianjamestrailers.co.uk](http://www.brianjamestrailers.co.uk)



# Race Box

## Overview



	610-					
	4019-30-2-12-B	4019-30-2-12-W	4519-30-2-12-B	4519-30-2-12-W	5019-30-2-12-B	5019-30-2-12-W
Body colour	Black	White	Black	White	Black	White

DIMENSIONS		dimensions in metres					
Bed width	<b>A</b>	1.93	1.93	1.93	1.93	1.93	1.93
Overall width	<b>B</b>	2.43	2.43	2.43	2.43	2.43	2.43
Bed length	<b>C</b>	4.19	4.19	4.69	4.69	5.09	5.09
Overall length	<b>D</b>	5.83	5.83	6.37	6.37	6.73	6.73
Bed height	<b>E</b>	0.44	0.44	0.44	0.44	0.44	0.44
Internal height	<b>F</b>	2.01	2.01	2.01	2.01	2.01	2.01
Door aperture height	<b>G</b>	1.99	1.99	1.99	1.99	1.99	1.99
Overall height	<b>H</b>	2.59	2.59	2.59	2.59	2.59	2.59

CAPACITY		weight in kg					
Gross capacity		3,000	3,000	3,000	3,000	3,000	3,000
Load capacity		1,950	1,950	1,910	1,910	1,865	1,865

LOADING ANGLES		– Not available					
Fixed bed		10°	10°	10°	10°	10°	10°
Tilt bed		–	–	–	–	–	–

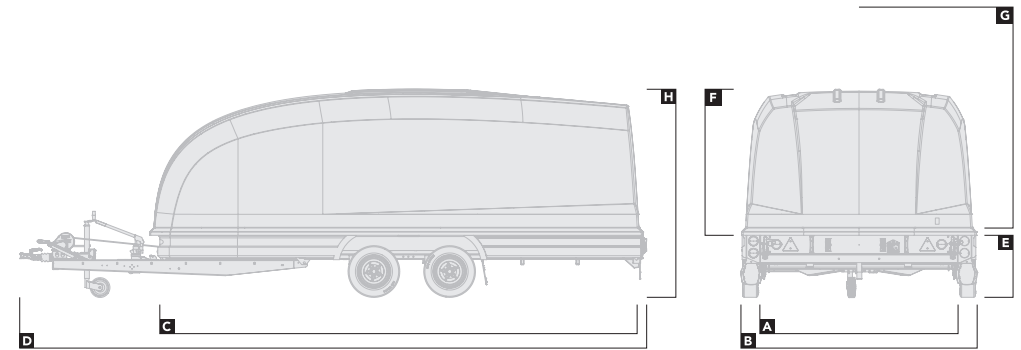
Load capacity will vary depending on options fitted - For accurate information on weights and pricing, use our interactive configurator at [www.brianjamestrailers.co.uk](http://www.brianjamestrailers.co.uk)

# Race Box

## Equipment

		610-					
		4019-30-2-12-B	4019-30-2-12-W	4519-30-2-12-B	4519-30-2-12-W	5019-30-2-12-B	5019-30-2-12-W
<b>ACCESSORIES</b>		● Standard ○ Option					
	Rear-view camera	○	○	○	○	○	○
	Spare wheel cover	○	○	○	○	○	○
<b>EXTERIOR</b>							
	Full LED lighting	●	●	●	●	●	●
	Gullwing side doors	●	●	●	●	●	●
	Pedestrian doors	●	●	●	●	●	●
<b>INTERIOR</b>							
	Full LED lighting	●	●	●	●	●	●
<b>LOADING</b>							
	Battery w/ charger	○	○	○	○	○	○
	Electric winch	○	○	○	○	○	○
	Full-width loading door	●	●	●	●	●	●
	Support stands	●	●	●	●	●	●
<b>LOAD RESTRAINT</b>							
	Load lock rail	●	●	●	●	●	●
	Slick pads x4	○	○	○	○	○	○
	Festestroppene	○	○	○	○	○	○
	Tyre rack	○	○	○	○	○	○
	Wheel chocks	○	○	○	○	○	○
<b>RUNNING GEAR</b>							
	Alloy wheels - Anthracite	●	●	●	●	●	●
	Steel wheels	○	○	○	○	○	○
	Locking hitch	●	●	●	●	●	●
<b>STORAGE</b>							
	Store station	○	○	○	○	○	○

# Race Shuttle



## Overview

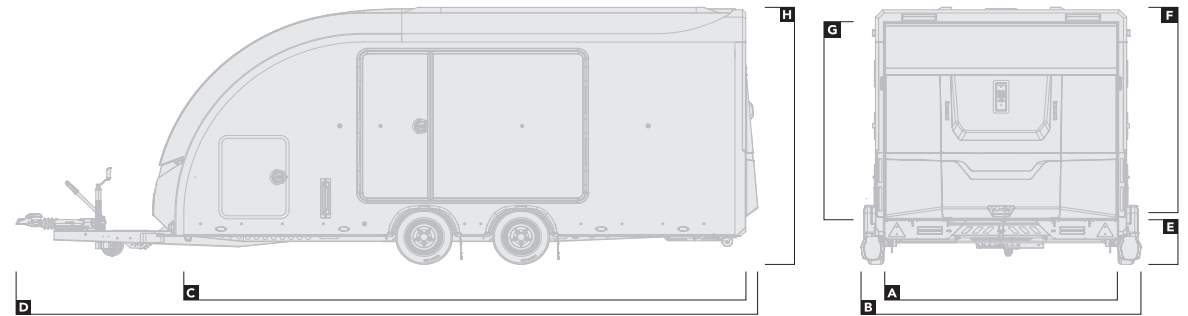
		330-	
		4319-26-2-12	4719-30-2-12
DIMENSIONS		dimensions in metres	
Bed width	A	1.95	1.95
Overall width	B	2.32	2.34
Bed length	C	4.3	4.7
Overall length	D	5.82	6.2
Bed height	E	0.42	0.42
Internal height	F	1.53	1.6
Door aperture height	G	2.4	2.5
Overall height	H	1.94	1.99
CAPACITY		weight in kg	
Gross capacity		2,600	3,000
Load capacity		1,765	2,070

Load capacity will vary depending on options fitted - For accurate information on weights and pricing, use our interactive configurator at [www.brianjamestrailers.co.uk](http://www.brianjamestrailers.co.uk)

## Equipment

		330-	
		4319-26-2-12	4719-30-2-12
EXTERIOR		● Standard ○ Option	
	Full LED lighting	●	●
LOADING			
	Loading ramps - 2.5m	●	●
	Manual / Electric winch	○	○
	Manual tilt-bed	●	●
LOAD RESTRAINT			
	Tie-down straps	●	●
	Wheel chocks / Stop bar	○	○
RUNNING GEAR			
	Alloy wheels - Anthracite	●	●
	Locking hitch	●	●
	Spare wheel	●	●
STORAGE			
	Tyre rack	○	○

# Race Sport



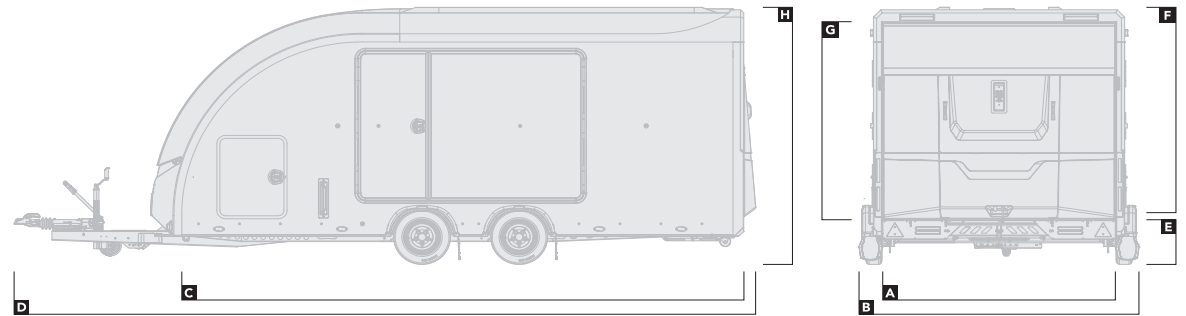
## Overview

341-

		5020-30-2-12-B	5020-30-2-12-W	5020-35-2-12-B	5020-35-2-12-W	5021-30-2-12-B	5021-30-2-12-W	5021-35-2-12-B	5021-35-2-12-W	5520-30-2-12-B	5520-30-2-12-W	
<b>DIMENSIONS</b>		dimensions in metres										
Bed width	<b>A</b>	2.0	2.0	2.0	2.0	2.1	2.1	2.1	2.1	2.0	2.0	
Overall width	<b>B</b>	2.39	2.39	2.39	2.39	2.49	2.49	2.49	2.49	2.39	2.39	
Bed length	<b>C</b>	5.03	5.03	5.03	5.03	5.03	5.03	5.03	5.03	5.53	5.53	
Overall length	<b>D</b>	6.9	6.9	6.9	6.9	6.9	6.9	6.9	6.9	7.4	7.4	
Bed height	<b>E</b>	0.52	0.52	0.5	0.5	0.52	0.52	0.5	0.5	0.52	0.52	
Internal height	<b>F</b>	1.96	1.96	1.96	1.96	1.96	1.96	1.96	1.96	1.96	1.96	
Door aperture height	<b>G</b>	1.88	1.88	1.88	1.88	1.88	1.88	1.88	1.88	1.88	1.88	
Overall height	<b>H</b>	2.56	2.56	2.54	2.54	2.56	2.56	2.54	2.54	2.56	2.56	
<b>CAPACITY</b>		weight in kg										
Gross capacity		3,000	3,000	3,500	3,500	3,000	3,000	3,500	3,500	3,000	3,000	
Load capacity		1,700	1,700	2,170	2,170	1,685	1,685	2,150	2,150	1,670	1,670	
<b>LOADING ANGLES</b>												
Fixed bed		13°	13°	11.5°	11.5°	13°	13°	11.5°	11.5°	13°	13°	
Tilt bed		6.5°	6.5°	6.5°	6.5°	6.5°	6.5°	6.5°	6.5°	6.5°	6.5°	

Load capacity will vary depending on options fitted - For accurate information on weights and pricing, use our interactive configurator at [www.brianjamestrailers.co.uk](http://www.brianjamestrailers.co.uk)

# Race Sport



## Overview cont.

		341-					
		5520-35-2-12-B	5520-35-2-12-W	5521-30-2-12-B	5521-30-2-12-W	5521-35-2-12-B	5521-35-2-12-W
<b>DIMENSIONS</b>		dimensions in metres					
Bed width	<b>A</b>	2.0	2.0	2.1	2.1	2.1	2.1
Overall width	<b>B</b>	2.39	2.39	2.49	2.49	2.49	2.49
Bed length	<b>C</b>	5.53	5.53	5.53	5.53	5.53	5.53
Overall length	<b>D</b>	7.4	7.4	7.4	7.4	7.4	7.4
Bed height	<b>E</b>	0.5	0.5	0.52	0.52	0.5	0.5
Internal height	<b>F</b>	1.96	1.96	1.96	1.96	1.96	1.96
Door aperture height	<b>G</b>	1.88	1.88	1.88	1.88	1.88	1.88
Overall height	<b>H</b>	2.54	2.54	2.56	2.56	2.54	2.54
<b>CAPACITY</b>		weight in kg					
Gross capacity		3,500	3,500	3,000	3,000	3,500	3,500
Load capacity		2,140	2,140	1,650	1,650	2,115	2,115
<b>LOADING ANGLES</b>							
Fixed bed		11.5°	11.5°	13°	13°	11.5°	11.5°
Tilt bed		6.5°	6.5°	6.5°	6.5°	6.5°	6.5°

Load capacity will vary depending on options fitted - For accurate information on weights and pricing, use our interactive configurator at [www.brianjamestrailers.co.uk](http://www.brianjamestrailers.co.uk)

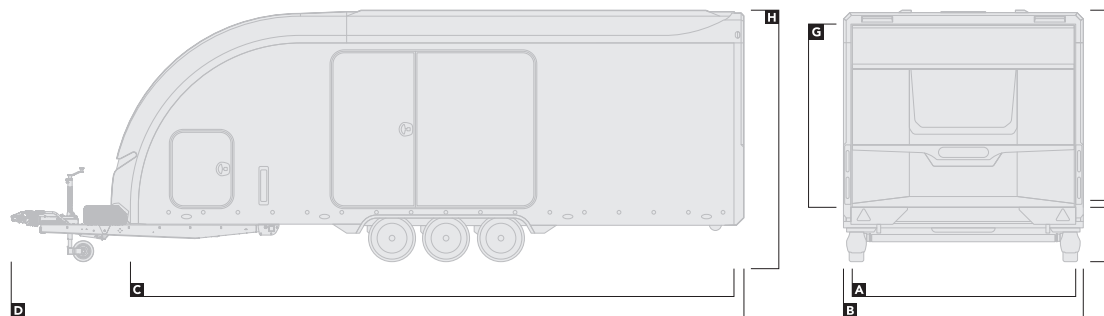


# Race Sport

## Equipment

	341-					
	5520-35-2-12-B	5520-35-2-12-W	5521-30-2-12-B	5521-30-2-12-W	5521-35-2-12-B	5521-35-2-12-W
<b>ACCESSORIES</b> <span style="float: right;">● Standard ○ Option</span>						
Awning - available as LH, RH & both	○	○	○	○	○	○
Mains power unit	○	○	○	○	○	○
360° camera	○	○	○	○	○	○
Rear-view camera	○	○	○	○	○	○
Reverse / Rear-view camera	○	○	○	○	○	○
Solar panel	○	○	○	○	○	○
<b>DECK</b>						
Slick pads x4	○	○	○	○	○	○
<b>EXTERIOR</b>						
Front access hatches	●	●	●	●	●	●
Split side doors	●	●	●	●	●	●
<b>LIGHTING - EXTERIOR</b>						
Flashing side marker lights	○	○	○	○	○	○
Full LED lighting	●	●	●	●	●	●
Loading lights	○	○	○	○	○	○
Reverse lights	○	○	○	○	○	○
<b>LIGHTING - INTERIOR</b>						
Full LED lighting	●	●	●	●	●	●
<b>LOADING</b>						
Battery w/ charger	●	●	●	●	●	●
Manual / Electric tilt-bed	○	○	○	○	○	○
Assistor ramps	○	○	○	○	○	○
Race ramps	○	○	○	○	○	○
Electric winch	●	●	●	●	●	●
Support stands	●	●	●	●	●	●
<b>LOAD RESTRAINT</b>						
Tie-down straps	●	●	●	●	●	●
Wheel chocks	●	●	●	●	●	●
<b>RUNNING GEAR</b>						
Alloy wheels - Anthracite	●	●	●	●	●	●
Steel wheels	○	○	○	○	○	○
Spare wheel	●	●	●	●	●	●
Locking hitch	●	●	●	●	●	●
<b>STORAGE</b>						
Deck storage	●	●	●	●	●	●
Store station	○	○	○	○	○	○
Tyre rack / Workbench	○	○	○	○	○	○

# Race Transporter 7



## Overview

	397-									
	5520-35-2-12-B	5520-35-2-12-W	5520-35-3-10-B	5520-35-3-10-W	5521-35-2-12-B	5521-35-2-12-W	5521-35-3-10-B	5521-35-3-10-W	5523-35-2-12-B	5523-35-2-12-W
Body colour	Black	White	Black	White	Black	White	Black	White	Black	White

DIMENSIONS		dimensions in metres									
Bed width	<b>A</b>	2.02	2.02	2.02	2.02	2.12	2.12	2.12	2.12	2.3	2.3
Overall width	<b>B</b>	2.28	2.28	2.28	2.28	2.38	2.38	2.38	2.38	2.55	2.55
Bed length	<b>C</b>	5.66	5.66	5.66	5.66	5.66	5.66	5.66	5.66	5.66	5.66
Overall length	<b>D</b>	7.43	7.43	7.43	7.43	7.43	7.43	7.43	7.43	7.43	7.43
Bed height	<b>E</b>	0.63	0.63	0.61	0.61	0.63	0.63	0.61	0.61	0.63	0.63
Internal height	<b>F</b>	1.94	1.94	1.94	1.94	1.94	1.94	1.94	1.94	1.94	1.94
Door aperture height	<b>G</b>	1.88	1.88	1.88	1.88	1.88	1.88	1.88	1.88	1.88	1.88
Overall height	<b>H</b>	2.7	2.7	2.69	2.69	2.7	2.7	2.69	2.69	2.7	2.7

CAPACITY		weight in kg									
Gross capacity		3,500	3,500	3,500	3,500	3,500	3,500	3,500	3,500	3,500	3,500
Load capacity		2,170	2,170	2,100	2,100	2,155	2,155	2,085	2,085	2,135	2,135

	5523-35-3-10-B	5523-35-3-10-W	6023-35-2-12-B	6023-35-2-12-W	6023-35-3-10-B	6023-35-3-10-W
Body colour	Black	White	Black	White	Black	White

DIMENSIONS cont.		dimensions in metres					
Bed width	<b>A</b>	2.3	2.3	2.3	2.3	2.3	2.3
Overall width	<b>B</b>	2.55	2.55	2.55	2.55	2.55	2.55
Bed length	<b>C</b>	5.66	5.66	6.16	6.16	6.16	6.16
Overall length	<b>D</b>	7.43	7.43	7.93	7.93	7.93	7.93
Bed height	<b>E</b>	0.61	0.61	0.63	0.63	0.61	0.61
Internal height	<b>F</b>	1.94	1.94	1.94	1.94	1.94	1.94
Door aperture height	<b>G</b>	1.88	1.88	1.88	1.88	1.88	1.88
Overall height	<b>H</b>	2.69	2.69	2.7	2.7	2.69	2.69

CAPACITY cont.		weight in kg					
Gross capacity		3,500	3,500	3,500	3,500	3,500	3,500
Load capacity		2,060	2,060	2,075	2,075	2,000	2,000

Load capacity will vary depending on options fitted - For accurate information on weights and pricing, use our interactive configurator at [www.brianjamestrailers.co.uk](http://www.brianjamestrailers.co.uk)



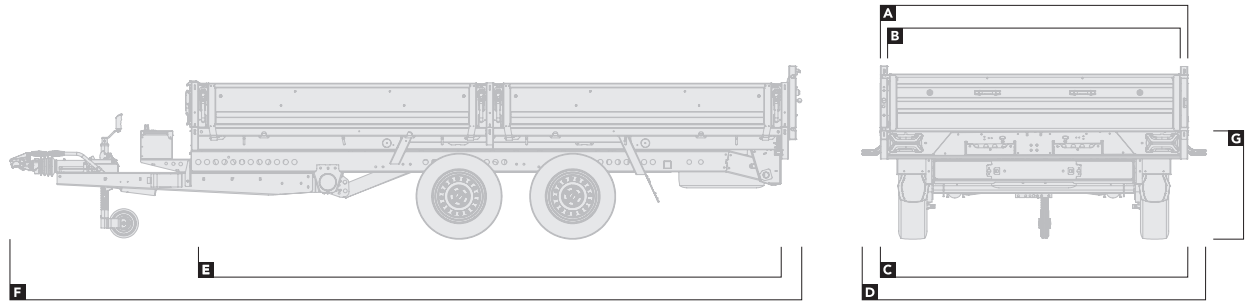
# Race Transporter 7

## Equipment cont.

	397-					
	5523-35-3-10-B	5523-35-3-10-B	6023-35-2-12-B	6023-35-2-12-W	6023-35-3-10-B	6023-35-3-10-W
			● Standard	○ Option		
<b>ACCESSORIES</b>						
Awning - available as LH, RH & both	○	○	○	○	○	○
Mains power unit	○	○	○	○	○	○
360° camera	○	○	○	○	○	○
Rear-view camera	○	○	○	○	○	○
Reverse / Rear-view camera	○	○	○	○	○	○
Solar panel	○	○	○	○	○	○
<b>DECK</b>						
Lightweight 'Scaffodeck' floor	●	●	●	●	●	●
Heavy-duty steel deck pads	●	●	●	●	●	●
<b>EXTERIOR</b>						
Additional height (+220mm)	○	○	○	○	○	○
Front access hatches	●	●	●	●	●	●
Split side doors	●	●	●	●	●	●
<b>LIGHTING - EXTERIOR</b>						
Flashing side marker lights	○	○	○	○	○	○
Full LED lighting	●	●	●	●	●	●
Loading lights	●	●	●	●	●	●
Reverse lights	●	●	●	●	●	●
<b>LIGHTING - INTERIOR</b>						
Full LED lighting	●	●	●	●	●	●
<b>LOADING</b>						
Battery w/ charger	●	●	●	●	●	●
Electric tilt-bed	●	●	●	●	●	●
Electric rear door / ramp	●	●	●	●	●	●
Assistor ramps	○	○	○	○	○	○
Race ramps	○	○	○	○	○	○
Electric winch	●	●	●	●	●	●
Heavy-duty electric winch	○	○	○	○	○	○
<b>LOAD RESTRAINT</b>						
Tie-down straps	●	●	●	●	●	●
Wheel chocks / Stop bar	●	●	●	●	●	●
<b>RUNNING GEAR</b>						
Alloy wheels - Anthracite	●	●	●	●	●	●
Spare wheel w/ cover	●	●	●	●	●	●
Additional spare wheel w/ cover	○	○	○	○	○	○
Locking hitch	●	●	●	●	●	●
<b>STORAGE</b>						
Deck storage	●	●	●	●	●	●
Store station	○	○	○	○	○	○
Tyre rack / Workbench / Vice	○	○	○	○	○	○

# Tipper

## Overview



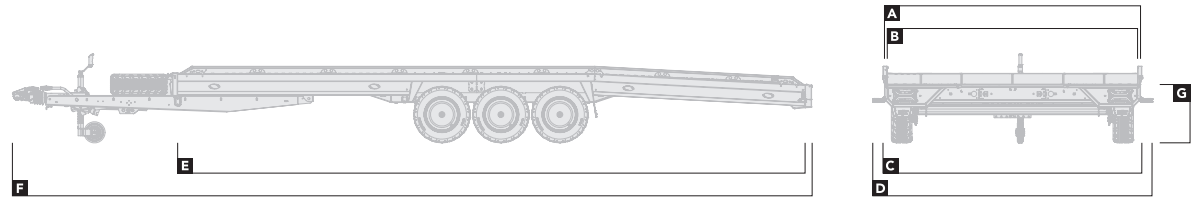
		526-					
		3116-27-2-12	3116-35-2-12	3620-35-2-12	3620-35-3-12	4020-35-2-12	4020-35-3-12
DIMENSIONS		dimensions in metres					
Bed width (excl. sides)	<b>A</b>	1.69	1.69	2.09	2.09	2.09	2.09
Bed width (inc. sides)	<b>B</b>	1.6	1.6	2.0	2.0	2.0	2.0
Overall width (excl. marker lamp)	<b>C</b>	1.71	1.71	2.11	2.11	2.11	2.11
Overall width (inc. marker lamp)	<b>D</b>	–	–	2.34	2.34	2.34	2.34
Bed length	<b>E</b>	3.2	3.2	3.7	3.7	4.1	4.1
Overall length	<b>F</b>	4.53	4.53	5.03	5.03	5.43	5.43
Bed height	<b>G</b>	0.71	0.73	0.73	0.71	0.73	0.71
CAPACITY		weight in kg					
Gross capacity		2,700	3,500	3,500	3,500	3,500	3,500
Load capacity		1,830	2,495	2,361	2,328	2,370	2,300

Load capacity will vary depending on options fitted - For accurate information on weights and pricing, use our interactive configurator at [www.brianjamestrailers.co.uk](http://www.brianjamestrailers.co.uk)



# T Transporter

## Overview



		231-	4520-30-2-10	4520-35-2-12	4521-35-3-10	4521-35-2-12	5021-35-3-10	5021-35-2-12	5021-35-3-12	5022-35-3-10	5022-35-2-12	5022-35-3-12
<b>DIMENSIONS</b>			dimensions in metres									
Bed width (excl. sides)	<b>A</b>	2.0	2.0	2.14	2.14	2.14	2.14	2.14	2.14	2.28	2.28	2.28
Bed width (inc. sides)	<b>B</b>	1.96	1.96	2.1	2.1	2.1	2.1	2.1	2.1	2.24	2.24	2.24
Overall width (excl. marker lamp)	<b>C</b>	2.04	2.04	2.18	2.18	2.18	2.18	2.18	2.18	2.32	2.32	2.32
Overall width (inc. marker lamp)	<b>D</b>	2.23	2.23	2.37	2.37	2.37	2.37	2.37	2.37	2.51	2.51	2.51
Bed length	<b>E</b>	4.52	4.52	4.52	4.52	5.02	5.02	5.02	5.02	5.02	5.02	5.02
Overall length	<b>F</b>	6.09	6.09	6.09	6.09	6.6	6.6	6.6	6.6	6.6	6.6	6.6
Bed height	<b>G</b>	0.59	0.65	0.59	0.65	0.59	0.65	0.65	0.65	0.59	0.65	0.65

<b>CAPACITY</b>		weight in kg										
Gross capacity		3,000	3,500	3,500	3,500	3,500	3,500	3,500	3,500	3,500	3,500	3,500
Load capacity		2,207	2,672	2,602	2,657	2,540	2,600	2,535	2,530	2,580	2,525	2,525

		5521-35-3-10	5521-35-2-12	5521-35-3-12	5522-35-3-10	5522-35-2-12	5522-35-3-12	5523-35-3-12	6022-35-3-12	6023-35-3-12	
<b>DIMENSIONS</b>		dimensions in metres									
Bed width (excl. sides)	<b>A</b>	2.14	2.14	2.14	2.28	2.28	2.28	2.42	2.28	2.42	
Bed width (inc. sides)	<b>B</b>	2.1	2.1	2.1	2.24	2.24	2.24	2.38	2.24	2.38	
Overall width (excl. marker lamp)	<b>C</b>	2.18	2.18	2.18	2.32	2.32	2.32	2.46	2.32	2.46	
Overall width (inc. marker lamp)	<b>D</b>	2.37	2.37	2.37	2.51	2.51	2.51	2.65	2.51	2.65	
Bed length	<b>E</b>	5.52	5.52	5.52	5.52	5.52	5.52	5.52	6.02	6.02	
Overall length	<b>F</b>	7.1	7.1	7.1	7.1	7.1	7.1	7.1	7.6	7.6	
Bed height	<b>G</b>	0.59	0.65	0.65	0.59	0.65	0.65	0.65	0.65	0.65	

<b>CAPACITY</b>		weight in kg									
Gross capacity		3,500	3,500	3,500	3,500	3,500	3,500	3,500	3,500	3,500	3,500
Load capacity		2,512	2,575	2,507	2,482	2,542	2,472	2,442	2,442	2,420	2,420

Load capacity will vary depending on options fitted - For accurate information on weights and pricing, use our interactive configurator at [www.brianjamestrailers.co.uk](http://www.brianjamestrailers.co.uk)



