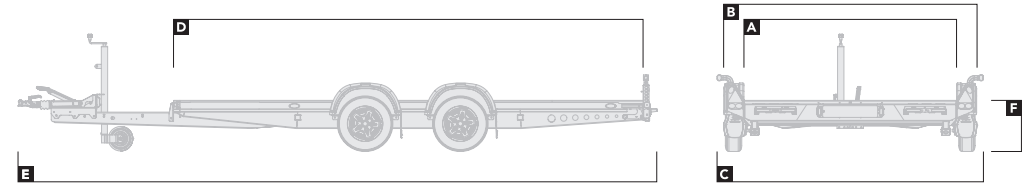


# Trailer specifications

'26

# A Transporter

## Overview



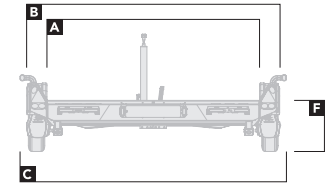
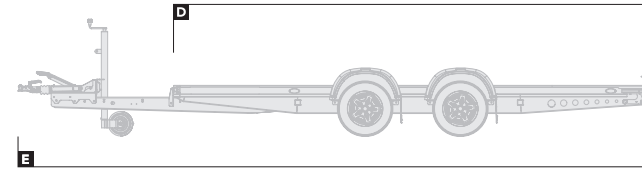
		130-	4019-27-2-12	4519-27-2-12	4519-30-2-12	4520-30-2-12	4521-30-2-12	5020-30-2-12	5020-35-2-12	5021-30-2-12	5021-35-2-12	5520-30-2-12
<b>DIMENSIONS</b>			dimensions in metres									
Bed width	<b>A</b>	1.9	1.9	1.9	2	2.1	2	2	2	2.1	2.1	2
Overall width (excl. marker lamp)	<b>B</b>	2.29	2.29	2.29	2.39	2.49	2.39	2.39	2.39	2.49	2.49	2.39
Overall width (inc. marker lamp)	<b>C</b>	2.64	2.64	2.64	2.74	2.84	2.74	2.74	2.74	2.84	2.84	2.74
Bed length	<b>D</b>	4.03	4.53	4.53	4.53	4.53	5.03	5.03	5.03	5.03	5.03	5.53
Overall length	<b>E</b>	5.7	6.2	6.2	6.2	6.2	6.7	6.7	6.7	6.7	6.7	7.2
Bed height	<b>F</b>	0.52	0.52	0.52	0.52	0.52	0.52	0.52	0.5	0.52	0.5	0.52
<b>CAPACITY</b>			weight in kg									
Gross capacity		2,700	2,700	3,000	3,000	3,000	3,000	3,500	3,500	3,000	3,500	3,000
Load capacity		1,955	1,945	2,245	2,230	2,215	2,200	2,665	2,665	2,180	2,645	2,165
<b>LOADING ANGLES</b>												
Fixed bed		11.5°	11.5°	11.5°	11.5°	11.5°	11.5°	11.5°	10.5°	11.5°	10.5°	11.5°
Tilt bed		7.5°	7.5°	7.5°	7.5°	7.5°	7.5°	7.5°	7.5°	7.5°	7.5°	7.5°

Load capacity will vary depending on options fitted - For accurate information on weights and pricing, use our interactive configurator at [www.brianjamestrailers.co.uk](http://www.brianjamestrailers.co.uk)

# A Transporter

## Overview cont.

		130-		
		5520-35-2-12	5521-30-2-12	5521-35-2-12
DIMENSIONS		dimensions in metres		
Bed width	<b>A</b>	2	2.1	2.1
Overall width (excl. marker lamp)	<b>B</b>	2.39	2.49	2.49
Overall width (inc. marker lamp)	<b>C</b>	2.74	2.84	2.84
Bed length	<b>D</b>	5.53	5.53	5.53
Overall length	<b>E</b>	7.2	7.2	7.2
Bed height	<b>F</b>	0.5	0.52	0.5
CAPACITY		weight in kg		
Gross capacity		3,500	3,000	3,500
Load capacity		2,630	2,140	2,605
LOADING ANGLES				
Fixed bed		10.5°	11.5°	10.5°
Tilt bed		7.5°	7.5°	7.5°



Load capacity will vary depending on options fitted - For accurate information on weights and pricing, use our interactive configurator at [www.brianjamestrailers.co.uk](http://www.brianjamestrailers.co.uk)



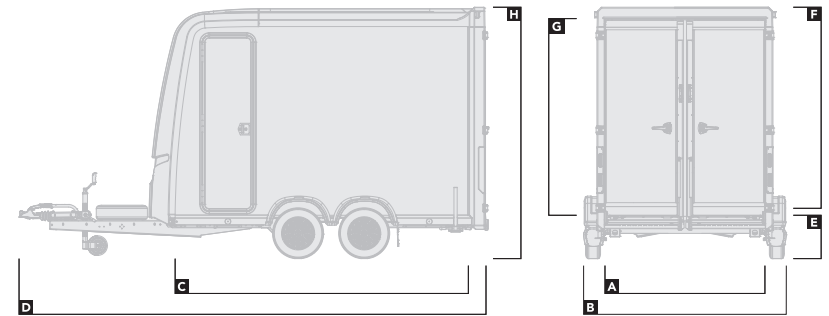
# A Transporter

## Equipment cont.

	130-	5520-35-2-12	5521-30-2-12	5521-35-2-12
<b>DECK</b> <input checked="" type="radio"/> Standard <input type="radio"/> Option				
Slick pads x4	<input type="radio"/>	<input type="radio"/>	<input type="radio"/>	<input type="radio"/>
<b>EXTERIOR</b>				
Body trim available in Blue, Red, Anthracite, Black & Yellow	<input checked="" type="radio"/>	<input checked="" type="radio"/>	<input checked="" type="radio"/>	<input checked="" type="radio"/>
Full LED lighting	<input checked="" type="radio"/>	<input checked="" type="radio"/>	<input checked="" type="radio"/>	<input checked="" type="radio"/>
<b>LOADING</b>				
Loading ramps - 2m	<input checked="" type="radio"/>	<input checked="" type="radio"/>	<input checked="" type="radio"/>	<input checked="" type="radio"/>
Manual / Electric tilt-bed	<input type="radio"/>	<input type="radio"/>	<input type="radio"/>	<input type="radio"/>
Manual / Electric winch	<input type="radio"/>	<input type="radio"/>	<input type="radio"/>	<input type="radio"/>
Support stands	<input checked="" type="radio"/>	<input checked="" type="radio"/>	<input checked="" type="radio"/>	<input checked="" type="radio"/>
<b>LOAD RESTRAINT</b>				
Tie-down straps	<input type="radio"/>	<input type="radio"/>	<input type="radio"/>	<input type="radio"/>
Wheel chocks	<input type="radio"/>	<input type="radio"/>	<input type="radio"/>	<input type="radio"/>
<b>RUNNING GEAR</b>				
Alloy wheels - Anthracite	<input checked="" type="radio"/>	<input checked="" type="radio"/>	<input checked="" type="radio"/>	<input checked="" type="radio"/>
Steel wheels	<input type="radio"/>	<input type="radio"/>	<input type="radio"/>	<input type="radio"/>
Spare wheel	<input checked="" type="radio"/>	<input checked="" type="radio"/>	<input checked="" type="radio"/>	<input checked="" type="radio"/>
Locking hitch	<input checked="" type="radio"/>	<input checked="" type="radio"/>	<input checked="" type="radio"/>	<input checked="" type="radio"/>
<b>STORAGE</b>				
Deck storage	<input checked="" type="radio"/>	<input checked="" type="radio"/>	<input checked="" type="radio"/>	<input checked="" type="radio"/>
Fuel can storage	<input type="radio"/>	<input type="radio"/>	<input type="radio"/>	<input type="radio"/>
Tyre rack	<input type="radio"/>	<input type="radio"/>	<input type="radio"/>	<input type="radio"/>

# Box Van

## Overview



	600-									
	3016-27-2-12-B	3016-27-2-12-W	3516-27-2-12-B	3516-27-2-12-W	3518-27-2-12-B	3518-27-2-12-W	4018-27-2-12-B	4018-27-2-12-W	4018-35-2-12-B	4018-35-2-12-W
Body colour	Black	White	Black	White	Black	White	Black	White	Black	White

DIMENSIONS		dimensions in metres									
Bed width	A	1.60	1.60	1.60	1.60	1.80	1.80	1.80	1.80	1.80	1.80
Overall width	B	2.08	2.08	2.08	2.08	2.28	2.28	2.28	2.28	2.28	2.28
Bed length	C	3.00	3.00	3.50	3.50	3.50	3.50	4.00	4.00	4.00	4.00
Overall length	D	4.87	4.87	5.37	5.37	5.37	5.37	5.87	5.87	5.89	5.89
Bed height	E	0.44	0.44	0.44	0.44	0.44	0.44	0.44	0.44	0.44	0.44
Internal height	F	2.00	2.00	2.00	2.00	2.00	2.00	2.00	2.00	2.00	2.00
Door aperture height	G	1.99	1.99	1.99	1.99	1.99	1.99	1.99	1.99	1.99	1.99
Overall height	H	2.59	2.59	2.59	2.59	2.59	2.59	2.59	2.59	2.59	2.59

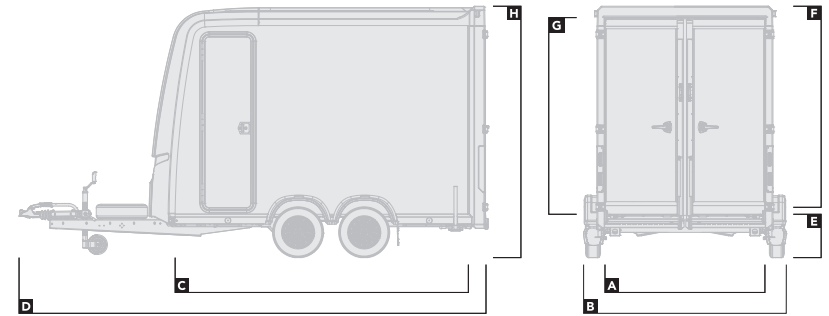
CAPACITY		weight in kg									
Gross capacity		2,700	2,700	2,700	2,700	2,700	2,700	2,700	2,700	3,500	3,500
Load capacity		1,845	1,845	1,790	1,790	1,740	1,740	1,680	1,680	2,445	2,445

LOADING ANGLES		- Not available									
Fixed bed		10°	10°	10°	10°	10°	10°	10°	10°	10°	10°
Tilt bed		-	-	-	-	-	-	-	-	-	-

Load capacity will vary depending on options fitted - For accurate information on weights and pricing, use our interactive configurator at [www.brianjamestrailers.co.uk](http://www.brianjamestrailers.co.uk)

# Box Van

## Overview cont.



	600-					
	4519-30-2-12-B	4519-30-2-12-W	4519-35-2-12-B	4519-35-2-12-W	5019-35-2-12-B	5019-35-2-12-W
Body colour	Black	White	Black	White	Black	White

DIMENSIONS cont.		dimensions in metres					
Bed width	A	1.95	1.95	1.95	1.95	1.95	1.95
Overall width	B	2.43	2.43	2.43	2.43	2.43	2.43
Bed length	C	4.50	4.50	4.50	4.50	5.00	5.00
Overall length	D	6.37	6.37	6.39	6.39	6.79	6.79
Bed height	E	0.44	0.44	0.44	0.44	0.44	0.44
Internal height	F	2.00	2.00	2.00	2.00	2.00	2.00
Door aperture height	G	1.99	1.99	1.99	1.99	1.99	1.99
Overall height	H	2.59	2.59	2.59	2.59	2.59	2.59

CAPACITY cont.		weight in kg					
Gross capacity		3,000	3,000	3,500	3,500	3,500	3,500
Load capacity		1,875	1,875	2,355	2,355	2,270	2,270

LOADING ANGLES		- Not available					
Fixed bed		10°	10°	10°	10°	10°	10°
Tilt bed		-	-	-	-	-	-

Load capacity will vary depending on options fitted - For accurate information on weights and pricing, use our interactive configurator at [www.brianjamestrailers.co.uk](http://www.brianjamestrailers.co.uk)

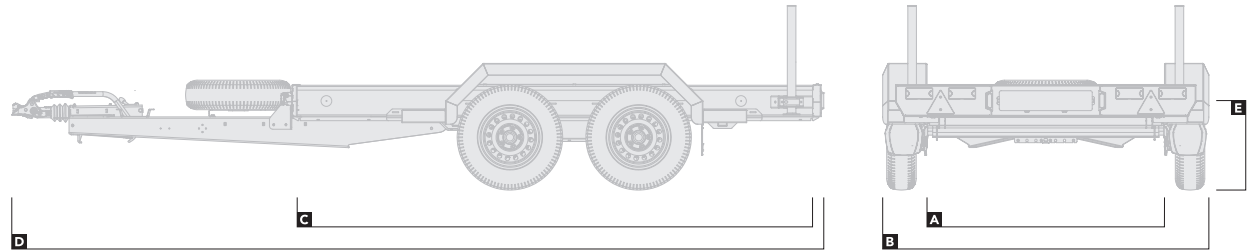


# Box Van

## Equipment

	600-					
	4519-30-2-12-B	4519-30-2-12-W	4519-35-2-12-B	4519-35-2-12-W	5019-35-2-12-B	5019-35-2-12-W
<b>ACCESSORIES</b>						
	● Standard ○ Option – Not available					
Rear-view camera	○	○	○	○	○	○
Spare wheel cover	○	○	○	○	○	○
<b>DECK</b>						
Aluminium deck overly	○	○	○	○	○	○
<b>EXTERIOR</b>						
Full LED lighting	●	●	●	●	●	●
Gullwing side doors	–	–	–	–	–	–
Pedestrian doors	●	●	●	●	●	●
Side step	○	○	○	○	○	○
Side step x2	○	○	○	○	○	○
<b>INTERIOR</b>						
Full LED lighting	●	●	●	●	●	●
<b>LOADING</b>						
Multi-function rear doors	●	●	●	●	●	●
Support stands	●	●	●	●	●	●
<b>LOAD RESTRAINT</b>						
Bicycle stand	○	○	○	○	○	○
Bicycle stand x2	○	○	○	○	○	○
Kart racking and wheel storage	○	○	○	○	○	○
Load lock rails	●	●	●	●	●	●
Load lock rails - High and low	○	○	○	○	○	○
Motorcycle stand	○	○	○	○	○	○
Motorcycle stand x2	○	○	○	○	○	○
Shoring pole	○	○	○	○	○	○
<b>RUNNING GEAR</b>						
Alloy wheels - Anthracite	●	●	●	●	●	●
Steel wheels	○	○	○	○	○	○
Locking hitch	●	●	●	●	●	●
<b>STORAGE</b>						
Store station	○	○	○	○	○	○

# Chassis Plant



## Overview

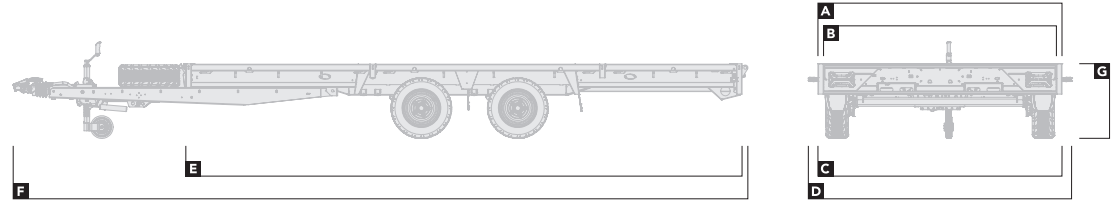
		560-	
		2813-27-2-13	3813-35-2-12
DIMENSIONS		dimensions in metres	
Bed width	A	1.3	1.3
Overall width	B	1.83	1.94
Bed length	C	2.8	3.8
Overall length	D	4.56	5.52
Bed height	E	0.47	0.44
CAPACITY		weight in kg	
Gross capacity		2,700	3,500
Load capacity		2,240	2,975

Load capacity will vary depending on options fitted - For accurate information on weights and pricing, use our interactive configurator at [www.brianjamestrailers.co.uk](http://www.brianjamestrailers.co.uk)

## Equipment

		560-	
		2813-27-2-13	3813-35-2-12
EXTERIOR		● Standard ○ Option	
4x adjustable cross members		●	●
Full LED lighting		●	●
Heavy-duty metal mudguards		●	●
LOADING			
Front support stands		○	●
Rear support stands		●	●
RUNNING GEAR			
40mm eye coupling		○	○
Locking hitch		●	●
Spare wheel		●	●
Wheel nut indicators		●	●

# Connect



## Overview

		476-									
		3118-30-2-10	3618-30-2-10	3620-35-2-12	4020-35-2-12	4021-35-2-12	4521-35-3-10	4521-35-2-12	5021-35-3-10	5021-35-2-12	5021-35-3-12
DIMENSIONS		dimensions in metres									
Bed width (excl. sides)	<b>A</b>	1.88	1.88	1.99	1.92	2.13	2.13	2.13	2.13	2.13	2.13
Bed width (inc. sides)	<b>B</b>	1.78	1.78	1.89	1.82	2.03	2.03	2.03	2.03	2.03	2.03
Overall width (excl. marker lamp)	<b>C</b>	1.9	1.9	2.01	2.01	2.15	2.15	2.15	2.15	2.15	2.15
Overall width (inc. marker lamp)	<b>D</b>	-	-	2.18	2.18	2.32	2.32	2.32	2.32	2.32	2.32
Bed length	<b>E</b>	3.17	3.67	3.67	4.07	4.07	4.59	4.59	5.07	5.07	5.07
Overall length	<b>F</b>	4.74	5.24	5.27	5.67	5.94	6.13	6.13	6.58	6.58	6.58
Bed height	<b>G</b>	0.59	0.59	0.65	0.65	0.65	0.59	0.65	0.59	0.65	0.59

CAPACITY		weight in kg									
Gross capacity		3,000	3,000	3,500	3,500	3,500	3,500	3,500	3,500	3,500	3,500
Load capacity		2,425	2,400	2,825	2,785	2,755	2,665	2,725	2,635	2,695	2,625

		5022-35-3-10	5022-35-2-12	5022-35-3-12	5521-35-3-10	5521-35-2-12	5521-35-3-12	5522-35-3-10	5522-35-2-12	5522-35-3-12	5524-35-3-12
DIMENSIONS		dimensions in metres									
Bed width (excl. sides)	<b>A</b>	2.27	2.27	2.27	2.13	2.13	2.13	2.27	2.27	2.27	2.41
Bed width (inc. sides)	<b>B</b>	2.17	2.17	2.17	2.03	2.03	2.03	2.17	2.17	2.17	2.31
Overall width (excl. marker lamp)	<b>C</b>	2.29	2.29	2.29	2.15	2.15	2.15	2.29	2.29	2.29	2.43
Overall width (inc. marker lamp)	<b>D</b>	2.46	2.46	2.46	2.32	2.32	2.32	2.46	2.46	2.46	2.6
Bed length	<b>E</b>	5.07	5.07	5.07	5.57	5.57	5.57	5.57	5.57	5.57	5.57
Overall length	<b>F</b>	6.58	6.58	6.58	7.17	7.17	7.17	7.17	7.17	7.17	7.17
Bed height	<b>G</b>	0.59	0.65	0.65	0.59	0.65	0.65	0.59	0.65	0.65	0.65

CAPACITY		weight in kg									
Gross capacity		3,500	3,500	3,500	3,500	3,500	3,500	3,500	3,500	3,500	3,500
Load capacity		2,605	2,665	2,595	2,605	2,665	2,595	2,575	2,635	2,565	2,535

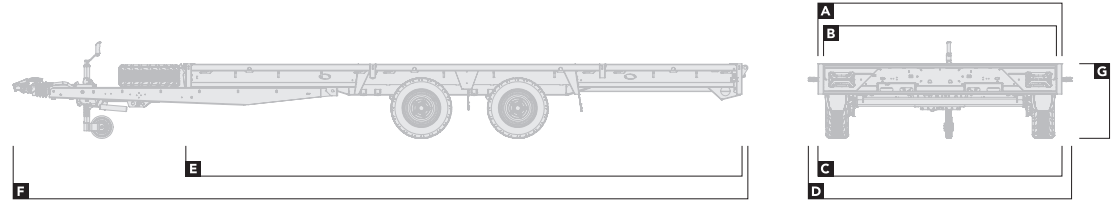
Load capacity will vary depending on options fitted - For accurate information on weights and pricing, use our interactive configurator at [www.brianjamestrailers.co.uk](http://www.brianjamestrailers.co.uk)

# Connect

## Overview cont.

		476-	6022-35-3-12	6024-35-3-12
<b>DIMENSIONS</b>		dimensions in metres		
Bed width (excl. sides)	<b>A</b>	2.27	2.41	
Bed width (inc. sides)	<b>B</b>	2.17	2.31	
Overall width (excl. marker lamp)	<b>C</b>	2.29	2.43	
Overall width (inc. marker lamp)	<b>D</b>	2.46	2.6	
Bed length	<b>E</b>	6.09	6.09	
Overall length	<b>F</b>	7.63	7.63	
Bed height	<b>G</b>	0.65	0.65	
<b>CAPACITY</b>		weight in kg		
Gross capacity		3,500	3,500	
Load capacity		2,535	2,505	

Load capacity will vary depending on options fitted -  
 For accurate information on weights and pricing, use our interactive configurator at  
[www.brianjamestrailers.co.uk](http://www.brianjamestrailers.co.uk)







# Connect

## Equipment cont.

	476-	
	6022-35-3-12	6024-35-3-12
	● Standard	○ Option
<b>EXTERIOR</b>		
Body trim available in Blue, Red, Anthracite, Black & Yellow	●	●
Full exterior LED lighting	●	●
<b>DECK</b>		
Deck storage	○	○
<b>LOADING</b>		
Battery w/ charger	○	○
Loading ramps - 1.8m	○	○
Loading ramps - 2.35m	○	○
Tail panel - 0.77m	○	○
Tail panel torsion bar	○	○
Tail panel assistor ramps	○	○
High-mesh tail panel - 1.66m	○	○
High-mesh tail panel - 1.8m	○	○
Manual / Electric tilt-bed	○	○
Manual / Electric winch	○	○
Support stands	○	○
<b>LOAD RESTRAINT</b>		
Tie-down straps	○	○
Wheel chocks / Stop bar	○	○
<b>OPTION PACKS</b>		
<b>Electric assistance pack</b> - includes: Electric winch, hydraulics, on-board battery & battery charger	○	○
<b>RUNNING GEAR</b>		
Alloy wheels - Anthracite	○	○
Eye coupling	○	○
Locking hitch	●	●
Spare wheel	●	●
<b>SIDES</b>		
Dropsides - available in 5 colours	○	○
Headboard - available in 5 colours	○	○
Ladder rack	○	○
Side extensions	○	○

# Connect

## Loading angles

	476-																			
	3118-30-2-10		3618-30-2-10		3620-35-2-12		4020-35-2-12		4021-35-2-12		4521-35-3-10		4521-35-2-12		5021-35-3-10		5021-35-2-12		5021-35-3-12	
	Fixed	Tilt	Fixed	Tilt	Fixed	Tilt	Fixed	Tilt	Fixed	Tilt	Fixed	Tilt	Fixed	Tilt	Fixed	Tilt	Fixed	Tilt	Fixed	Tilt
Loading ramps - 1.8m	18.5°	-	18.5°	-	20.5°	-	20.5°	-	20.5°	-	18.5°	8°	20.5°	8°	18.5°	8°	20.5°	8°	20.5°	8°
Loading ramps - 2.35m	14°	-	14°	-	15.5°	-	15.5°	-	15.5°	-	14°	6°	15.5°	6°	14°	6°	15.5°	6°	15.5°	6°
Tail panel - 0.77m	-	-	-	-	-	-	-	-	-	-	-	19°	-	18.5°	-	19°	-	18.5°	-	18.5°
Tail panel - 0.77m w/ Assistor ramps	-	-	-	-	-	-	-	-	-	-	-	6.5/16°	-	6.5/15.5°	-	6.5/16°	-	6.5/15.5°	-	6.5/15.5°
High-mesh tail panel - 1.66m	20°	-	20°	-	-	-	-	-	-	-	-	-	-	-	-	-	-	-	-	-
High-mesh tail panel - 1.8m	-	-	-	-	19.5°	-	19.5°	-	19.5°	-	17.5°	7°	19.5°	7°	17.5°	7°	19.5°	7°	19.5°	7°

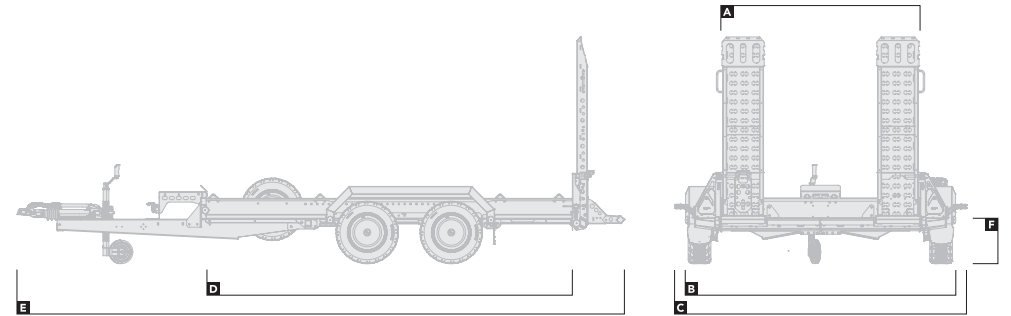
	5022-35-3-10		5022-35-2-12		5022-35-3-12		5521-35-3-10		5521-35-2-12		5521-35-3-12		5522-35-3-10		5522-35-2-12		5522-35-3-12		5524-35-3-12	
	Fixed	Tilt	Fixed	Tilt	Fixed	Tilt	Fixed	Tilt	Fixed	Tilt	Fixed	Tilt	Fixed	Tilt	Fixed	Tilt	Fixed	Tilt	Fixed	Tilt
	Loading ramps - 1.8m	18.5°	8°	20.5°	8°	20.5°	8°	18.5°	8°	20.5°	8°	20.5°	8°	18.5°	8°	20.5°	8°	20.5°	8°	20.5°
Loading ramps - 2.35m	14°	6°	15.5°	6°	15.5°	6°	14°	6°	15.5°	6°	15.5°	6°	14°	6°	15.5°	6°	15.5°	6°	15.5°	6°
Tail panel - 0.77m	-	19°	-	18.5°	-	18.5°	-	19°	-	18.5°	-	18.5°	-	19°	-	18.5°	-	18.5°	-	18.5°
Tail panel - 0.77m w/ Assistor ramps	-	6.5/16°	-	6.5/15.5°	-	6.5/15.5°	-	6.5/16°	-	6.5/15.5°	-	6.5/15.5°	-	6.5/16°	-	6.5/15.5°	-	6.5/15.5°	-	6.5/15.5°
High-mesh tail panel - 1.66m	-	-	-	-	-	-	-	-	-	-	-	-	-	-	-	-	-	-	-	-
High-mesh tail panel - 1.8m	17.5°	7°	19.5°	7°	19.5°	7°	17.5°	7°	19.5°	7°	19.5°	7°	17.5°	7°	19.5°	7°	19.5°	7°	19.5°	7°

	6022-35-3-12		6024-35-3-12	
	Fixed	Tilt	Fixed	Tilt
	Loading ramps - 1.8m	20.5°	8°	20.5°
Loading ramps - 2.35m	15.5°	6°	15.5°	6°
Tail panel - 0.77m	-	18.5°	-	18.5°
Tail panel - 0.77m w/ Assistor ramps	-	6.5/15.5°	-	6.5/15.5°
High-mesh tail panel - 1.66m	-	-	-	-
High-mesh tail panel - 1.8m	19.5°	7°	19.5°	7°

# Digger Plant

## Overview



		543-	2813-27-2-13	2813-35-2-12	3216-35-2-12	3217-35-2-12	3717-35-2-12
<b>DIMENSIONS</b>		dimensions in metres					
Bed width	<b>A</b>	1.3	1.3	1.6	1.7	1.7	
Overall width (excl. marker lamp)	<b>B</b>	1.78	1.78	2.1	2.32	2.32	
Overall width (inc. marker lamp)	<b>C</b>	–	–	–	2.5	2.5	
Bed length	<b>D</b>	2.8	2.8	3.2	3.2	3.7	
Overall length	<b>E</b>	4.65	4.65	5.2	5.2	5.7	
Bed height	<b>F</b>	0.38	0.4	0.4	0.4	0.4	
<b>CAPACITY</b>		weight in kg					
Gross capacity		2,700	3,500	3,500	3,500	3,500	
Load capacity		2,152	2,893	2,833	2,798	2,736	

Load capacity will vary depending on options fitted -  
 For accurate information on weights and pricing, use our interactive configurator at [www.brianjamestrailers.co.uk](http://www.brianjamestrailers.co.uk)

# Digger Plant - A

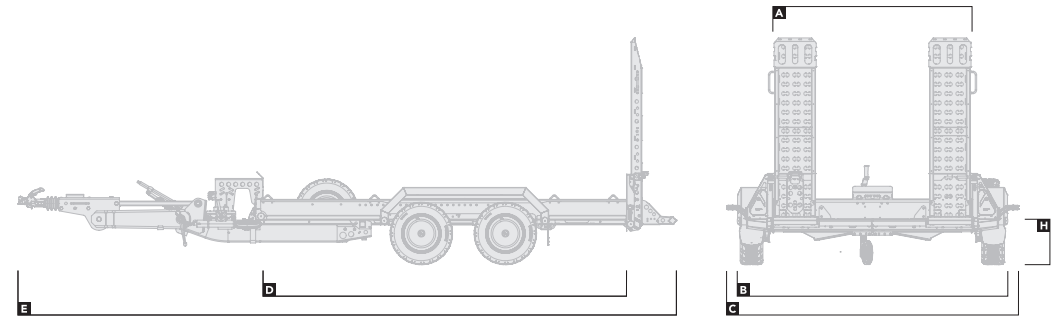
## Overview

		543-	
		3217-35-2-12-A	
DIMENSIONS		dimensions in metres	
Bed width	<b>A</b>	1.7	
Overall width (excl. marker lamp)	<b>B</b>	2.32	
Overall width (inc. marker lamp)	<b>C</b>	2.5	
Bed length	<b>D</b>	3.2	
Overall length (fully extended)	<b>E</b>	5.64	
Overall length (fully retracted)	<b>F</b>	5.39	
Overall length (60° retracted)	<b>G</b>	5.63	
Bed height	<b>H</b>	0.4	

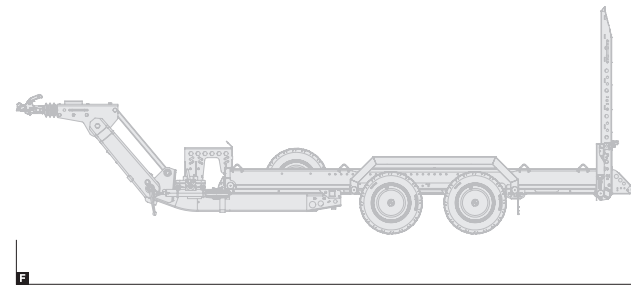
  

CAPACITY		weight in kg
Gross capacity		3,500
Load capacity		2,713

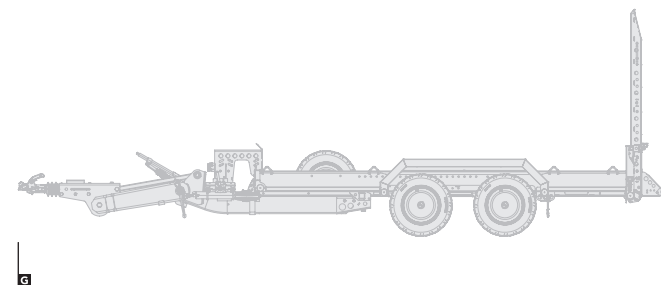
Load capacity will vary depending on options fitted -  
 For accurate information on weights and pricing, use our interactive configurator at  
[www.brianjamestrailers.co.uk](http://www.brianjamestrailers.co.uk)



Overall length (fully extended)



Overall length (fully retracted)



Overall length (60° retracted)

# Digger Plant

## Equipment

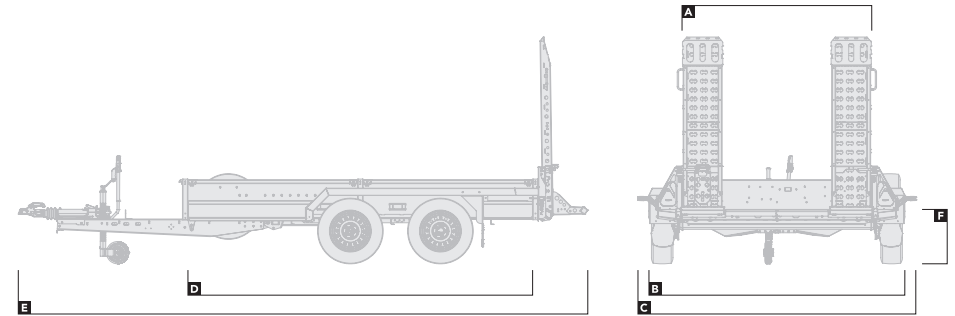
	543-				
	2813-27-2-13	2813-35-2-12	3216-35-2-12	3217-35-2-12	3717-35-2-12
<b>EXTERIOR</b>			● Standard ○ Option		
Full exterior LED lighting	●	●	●	●	●
<b>LOADING</b>					
Adjustable loading ramps - 1.62m	●	●	●	●	●
Heavy-duty loading panel - 1.7m	○	○	○	○	○
Chapter 8 chevrons	○	○	○	○	○
Manual / Electric winch	○	○	○	○	○
<b>LOAD RESTRAINT</b>					
Bucket locker	○	○	○	○	○
Bucket rest	●	●	●	●	●
Digger arm lock	○	○	○	○	○
Tie-down straps	○	○	○	○	○
TracStrap	○	○	○	○	○
Heavy-duty TracStrap	○	○	○	○	○
Wheel chocks / Stop bar	○	○	○	○	○
<b>RUNNING GEAR</b>					
Eye coupling	○	○	○	○	○
Locking hitch	●	●	●	●	●
Spare wheel	●	●	●	●	●

## Loading angles

	543-				
	2813-27-2-13	2813-35-2-12	3216-35-2-12	3217-35-2-12	3717-35-2-12
Adjustable loading ramps - 1.62m	14.5°	13.5°	13.5°	13.5°	13.5°
Heavy-duty loading panel - 1.7m	16°	15°	15°	15°	15°

# General Plant

## Overview



		551-						
		2713-27-2-13	2716-27-2-13	3117-35-2-13	3617-35-2-13	3618-35-3-12	4017-35-2-13	4018-35-3-12
DIMENSIONS		dimensions in metres						
Bed width	<b>A</b>	1.3	1.6	1.7	1.7	1.8	1.7	1.8
Overall width (excl. marker lamp)	<b>B</b>	1.91	2.21	2.31	2.31	2.41	2.31	2.41
Overall width (inc. marker lamp)	<b>C</b>	-	2.4	2.5	2.5	2.6	2.5	2.6
Bed length	<b>D</b>	2.8	2.8	3.2	3.7	3.7	4.1	4.1
Overall length	<b>E</b>	4.4	4.4	4.8	5.3	5.3	5.7	5.7
Bed height	<b>F</b>	0.45	0.45	0.43	0.43	0.43	0.43	0.43
CAPACITY		weight in kg						
Gross capacity		2,700	2,700	3,500	3,500	3,500	3,500	3,500
Load capacity		2,113	2,063	2,766	2,717	2,646	2,698	2,623

Load capacity will vary depending on options fitted - For accurate information on weights and pricing, use our interactive configurator at [www.brianjamestrailers.co.uk](http://www.brianjamestrailers.co.uk)

# General Plant

## Equipment

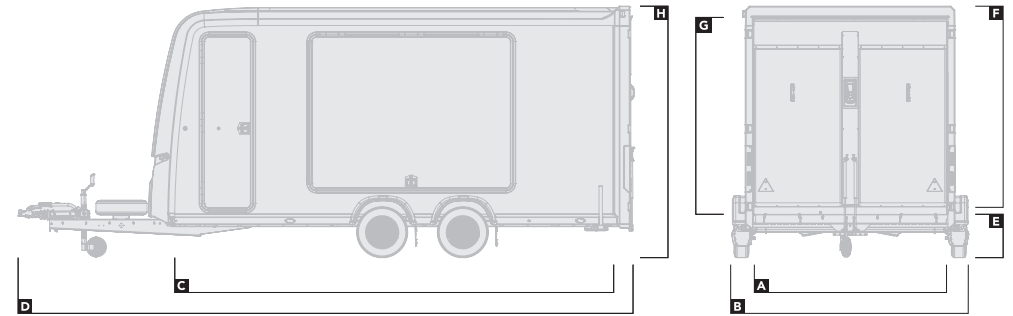
	551-						
	2713-27-2-13	2716-27-2-13	3117-35-2-13	3617-35-2-13	3618-35-3-12	4017-35-2-13	4018-35-3-12
<b>EXTERIOR</b>							
Body trim available in Blue, Red, Anthracite, Black & Yellow	●	●	●	●	●	●	●
Full exterior LED lighting	●	●	●	●	●	●	●
<b>LOADING</b>							
Loading ramps - 1.62m	●	●	●	●	●	●	●
Chapter 8 chevrons	○	○	○	○	○	○	○
Heavy-duty tail panel	○	○	○	○	○	○	○
Manual / Electric winch	○	○	○	○	○	○	○
<b>LOAD RESTRAINT</b>							
Bucket rest	○	○	○	○	○	○	○
Digger arm lock	○	○	○	○	○	○	○
Tie-down straps	○	○	○	○	○	○	○
TracStrap	○	○	○	○	○	○	○
Wheel chocks / Stop bar	○	○	○	○	○	○	○
<b>RUNNING GEAR</b>							
Locking hitch	●	●	●	●	●	●	●
Eye coupling	○	○	○	○	○	○	○
Spare wheel	●	●	●	●	●	●	●
<b>SIDES</b>							
Double-height side extensions - available in 5 colours	○	○	○	○	○	○	○
Ladder rack	○	○	○	○	○	○	○
Side extensions	○	○	○	○	○	○	○
<b>STORAGE</b>							
Storage lockers	○	○	○	○	○	○	○

## Loading angles

	551-						
	2713-27-2-13	2716-27-2-13	3117-35-2-13	3617-35-2-13	3618-35-3-12	4017-35-2-13	4018-35-3-12
Loading ramps - 1.62m	18°	18°	18°	18°	17°	18°	17°
Heavy-duty tail panel	20°	20°	20°	20°	19°	20°	19°

# Race Box

## Overview



	610-					
	4019-30-2-12-B	4019-30-2-12-W	4519-30-2-12-B	4519-30-2-12-W	5019-30-2-12-B	5019-30-2-12-W
Body colour	Black	White	Black	White	Black	White

DIMENSIONS		dimensions in metres					
Bed width	<b>A</b>	1.93	1.93	1.93	1.93	1.93	1.93
Overall width	<b>B</b>	2.43	2.43	2.43	2.43	2.43	2.43
Bed length	<b>C</b>	4.19	4.19	4.69	4.69	5.09	5.09
Overall length	<b>D</b>	5.83	5.83	6.37	6.37	6.73	6.73
Bed height	<b>E</b>	0.44	0.44	0.44	0.44	0.44	0.44
Internal height	<b>F</b>	2.01	2.01	2.01	2.01	2.01	2.01
Door aperture height	<b>G</b>	1.99	1.99	1.99	1.99	1.99	1.99
Overall height	<b>H</b>	2.59	2.59	2.59	2.59	2.59	2.59

CAPACITY		weight in kg					
Gross capacity		3,000	3,000	3,000	3,000	3,000	3,000
Load capacity		1,950	1,950	1,910	1,910	1,865	1,865

LOADING ANGLES		– Not available					
Fixed bed		10°	10°	10°	10°	10°	10°
Tilt bed		–	–	–	–	–	–

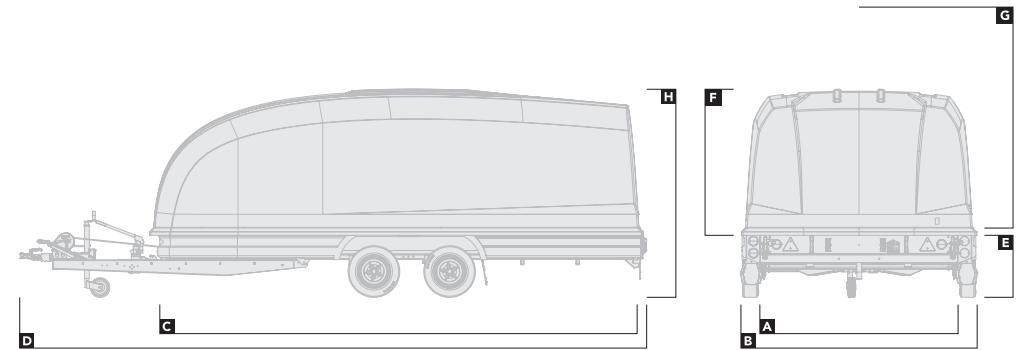
Load capacity will vary depending on options fitted - For accurate information on weights and pricing, use our interactive configurator at [www.brianjamestrailers.co.uk](http://www.brianjamestrailers.co.uk)

# Race Box

## Equipment

		610-					
		4019-30-2-12-B	4019-30-2-12-W	4519-30-2-12-B	4519-30-2-12-W	5019-30-2-12-B	5019-30-2-12-W
<b>ACCESSORIES</b>		● Standard ○ Option					
	Rear-view camera	○	○	○	○	○	○
	Spare wheel cover	○	○	○	○	○	○
<b>EXTERIOR</b>							
	Full LED lighting	●	●	●	●	●	●
	Gullwing side doors	●	●	●	●	●	●
	Pedestrian doors	●	●	●	●	●	●
<b>INTERIOR</b>							
	Full LED lighting	●	●	●	●	●	●
<b>LOADING</b>							
	Battery w/ charger	○	○	○	○	○	○
	Electric winch	○	○	○	○	○	○
	Full-width loading door	●	●	●	●	●	●
	Support stands	●	●	●	●	●	●
<b>LOAD RESTRAINT</b>							
	Load lock rail	●	●	●	●	●	●
	Slick pads x4	○	○	○	○	○	○
	Tie-down straps	○	○	○	○	○	○
	Tyre rack	○	○	○	○	○	○
	Wheel chocks	○	○	○	○	○	○
<b>RUNNING GEAR</b>							
	Alloy wheels - Anthracite	●	●	●	●	●	●
	Steel wheels	○	○	○	○	○	○
	Locking hitch	●	●	●	●	●	●
<b>STORAGE</b>							
	Store station	○	○	○	○	○	○

# Race Shuttle



## Overview

		330-	
		4319-26-2-12	4719-30-2-12
DIMENSIONS		dimensions in metres	
Bed width	A	1.95	1.95
Overall width	B	2.32	2.34
Bed length	C	4.3	4.7
Overall length	D	5.82	6.2
Bed height	E	0.42	0.42
Internal height	F	1.53	1.6
Door aperture height	G	2.4	2.5
Overall height	H	1.94	1.99
CAPACITY		weight in kg	
Gross capacity		2,600	3,000
Load capacity		1,765	2,070

Load capacity will vary depending on options fitted - For accurate information on weights and pricing, use our interactive configurator at [www.brianjamestrailers.co.uk](http://www.brianjamestrailers.co.uk)

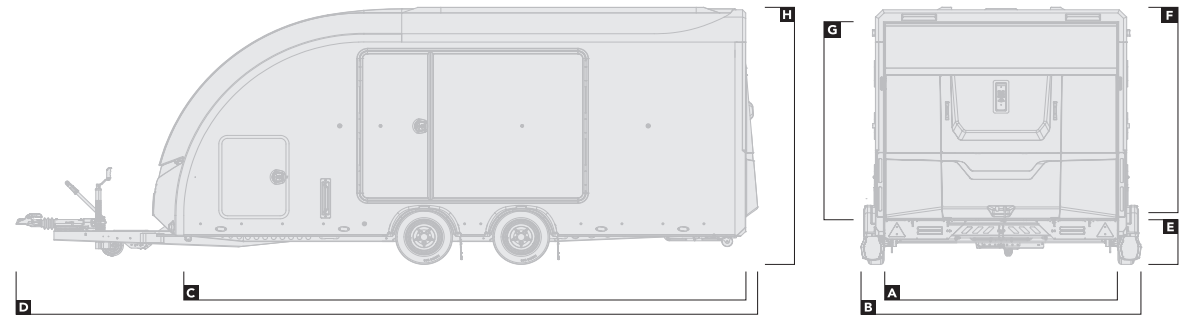
## Equipment

		330-	
		4319-26-2-12	4719-30-2-12
EXTERIOR		● Standard ○ Option	
Full LED lighting		●	●
LOADING			
Loading ramps - 2.5m		●	●
Manual / Electric winch		○	○
Manual tilt-bed		●	●
LOAD RESTRAINT			
Tie-down straps		●	●
Wheel chocks / Stop bar		○	○
RUNNING GEAR			
Alloy wheels - Anthracite		●	●
Locking hitch		●	●
Spare wheel		●	●
STORAGE			
Tyre rack		○	○

## Loading angles

		330-	
		4319-26-2-12	4719-30-2-12
Loading ramps - 2.5m		2.5°	3.1°

# Race Sport



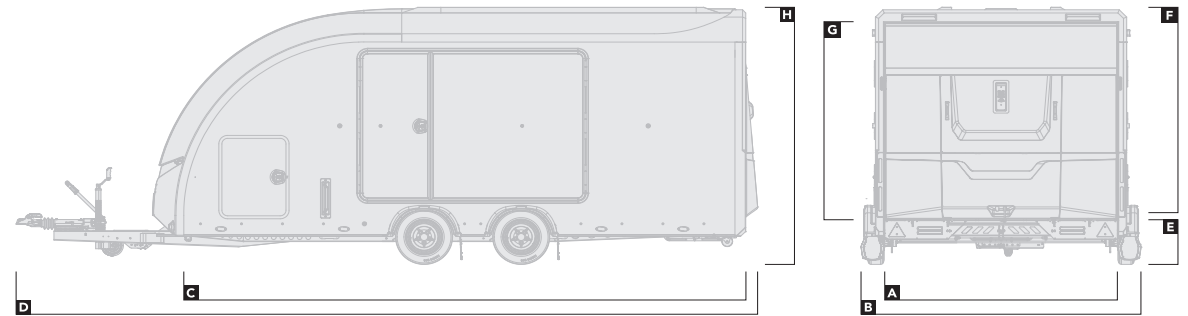
## Overview

341-

		5020-30-2-12-B	5020-30-2-12-W	5020-35-2-12-B	5020-35-2-12-W	5021-30-2-12-B	5021-30-2-12-W	5021-35-2-12-B	5021-35-2-12-W	5520-30-2-12-B	5520-30-2-12-W	
<b>DIMENSIONS</b>		dimensions in metres										
Bed width	<b>A</b>	2.0	2.0	2.0	2.0	2.1	2.1	2.1	2.1	2.0	2.0	
Overall width	<b>B</b>	2.39	2.39	2.39	2.39	2.49	2.49	2.49	2.49	2.39	2.39	
Bed length	<b>C</b>	5.03	5.03	5.03	5.03	5.03	5.03	5.03	5.03	5.53	5.53	
Overall length	<b>D</b>	6.9	6.9	6.9	6.9	6.9	6.9	6.9	6.9	7.4	7.4	
Bed height	<b>E</b>	0.52	0.52	0.5	0.5	0.52	0.52	0.5	0.5	0.52	0.52	
Internal height	<b>F</b>	1.96	1.96	1.96	1.96	1.96	1.96	1.96	1.96	1.96	1.96	
Door aperture height	<b>G</b>	1.88	1.88	1.88	1.88	1.88	1.88	1.88	1.88	1.88	1.88	
Overall height	<b>H</b>	2.56	2.56	2.54	2.54	2.56	2.56	2.54	2.54	2.56	2.56	
<b>CAPACITY</b>		weight in kg										
Gross capacity		3,000	3,000	3,500	3,500	3,000	3,000	3,500	3,500	3,000	3,000	
Load capacity		1,700	1,700	2,170	2,170	1,685	1,685	2,150	2,150	1,670	1,670	
<b>LOADING ANGLES</b>												
Fixed bed		13°	13°	11.5°	11.5°	13°	13°	11.5°	11.5°	13°	13°	
Tilt bed		6.5°	6.5°	6.5°	6.5°	6.5°	6.5°	6.5°	6.5°	6.5°	6.5°	

Load capacity will vary depending on options fitted - For accurate information on weights and pricing, use our interactive configurator at [www.brianjamestrailers.co.uk](http://www.brianjamestrailers.co.uk)

# Race Sport



## Overview cont.

		341-					
		5520-35-2-12-B	5520-35-2-12-W	5521-30-2-12-B	5521-30-2-12-W	5521-35-2-12-B	5521-35-2-12-W
<b>DIMENSIONS</b>		dimensions in metres					
Bed width	<b>A</b>	2.0	2.0	2.1	2.1	2.1	2.1
Overall width	<b>B</b>	2.39	2.39	2.49	2.49	2.49	2.49
Bed length	<b>C</b>	5.53	5.53	5.53	5.53	5.53	5.53
Overall length	<b>D</b>	7.4	7.4	7.4	7.4	7.4	7.4
Bed height	<b>E</b>	0.5	0.5	0.52	0.52	0.5	0.5
Internal height	<b>F</b>	1.96	1.96	1.96	1.96	1.96	1.96
Door aperture height	<b>G</b>	1.88	1.88	1.88	1.88	1.88	1.88
Overall height	<b>H</b>	2.54	2.54	2.56	2.56	2.54	2.54
<b>CAPACITY</b>		weight in kg					
Gross capacity		3,500	3,500	3,000	3,000	3,500	3,500
Load capacity		2,140	2,140	1,650	1,650	2,115	2,115
<b>LOADING ANGLES</b>							
Fixed bed		11.5°	11.5°	13°	13°	11.5°	11.5°
Tilt bed		6.5°	6.5°	6.5°	6.5°	6.5°	6.5°

Load capacity will vary depending on options fitted - For accurate information on weights and pricing, use our interactive configurator at [www.brianjamestrailers.co.uk](http://www.brianjamestrailers.co.uk)

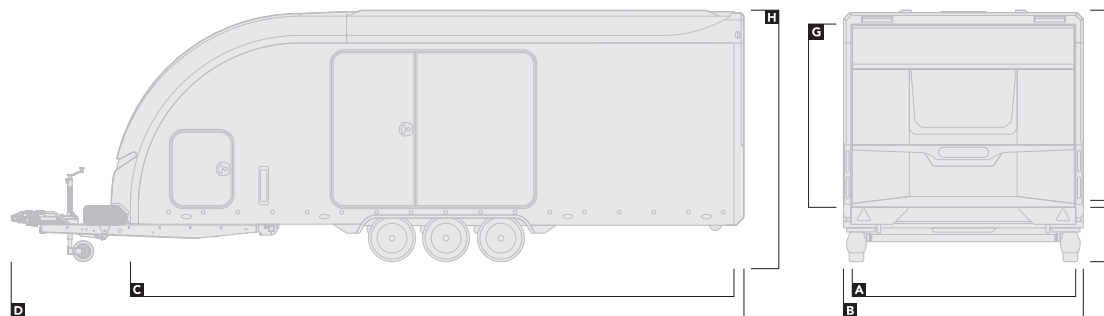


# Race Sport

## Equipment

	341-					
	5520-35-2-12-B	5520-35-2-12-W	5521-30-2-12-B	5521-30-2-12-W	5521-35-2-12-B	5521-35-2-12-W
<b>ACCESSORIES</b> <span style="float: right;">● Standard ○ Option</span>						
Awning - available as LH, RH & both	○	○	○	○	○	○
Mains power unit	○	○	○	○	○	○
360° camera	○	○	○	○	○	○
Rear-view camera	○	○	○	○	○	○
Reverse / Rear-view camera	○	○	○	○	○	○
Solar panel	○	○	○	○	○	○
<b>DECK</b>						
Slick pads x4	○	○	○	○	○	○
<b>EXTERIOR</b>						
Front access hatches	●	●	●	●	●	●
Split side doors	●	●	●	●	●	●
<b>LIGHTING - EXTERIOR</b>						
Flashing side marker lights	○	○	○	○	○	○
Full LED lighting	●	●	●	●	●	●
Loading lights	○	○	○	○	○	○
Reverse lights	○	○	○	○	○	○
<b>LIGHTING - INTERIOR</b>						
Full LED lighting	●	●	●	●	●	●
<b>LOADING</b>						
Battery w/ charger	●	●	●	●	●	●
Manual / Electric tilt-bed	○	○	○	○	○	○
Assistor ramps	○	○	○	○	○	○
Race ramps	○	○	○	○	○	○
Electric winch	●	●	●	●	●	●
Support stands	●	●	●	●	●	●
<b>LOAD RESTRAINT</b>						
Tie-down straps	●	●	●	●	●	●
Wheel chocks	●	●	●	●	●	●
<b>RUNNING GEAR</b>						
Alloy wheels - Anthracite	●	●	●	●	●	●
Steel wheels	○	○	○	○	○	○
Spare wheel	●	●	●	●	●	●
Locking hitch	●	●	●	●	●	●
<b>STORAGE</b>						
Deck storage	●	●	●	●	●	●
Store station	○	○	○	○	○	○
Tyre rack / Workbench	○	○	○	○	○	○

# Race Transporter 7



## Overview

	397-									
	5520-35-2-12-B	5520-35-2-12-W	5520-35-3-10-B	5520-35-3-10-W	5521-35-2-12-B	5521-35-2-12-W	5521-35-3-10-B	5521-35-3-10-W	5523-35-2-12-B	5523-35-2-12-W
Body colour	Black	White	Black	White	Black	White	Black	White	Black	White

DIMENSIONS		dimensions in metres									
Bed width	<b>A</b>	2.02	2.02	2.02	2.02	2.12	2.12	2.12	2.12	2.3	2.3
Overall width	<b>B</b>	2.28	2.28	2.28	2.28	2.38	2.38	2.38	2.38	2.55	2.55
Bed length	<b>C</b>	5.66	5.66	5.66	5.66	5.66	5.66	5.66	5.66	5.66	5.66
Overall length	<b>D</b>	7.43	7.43	7.43	7.43	7.43	7.43	7.43	7.43	7.43	7.43
Bed height	<b>E</b>	0.63	0.63	0.61	0.61	0.63	0.63	0.61	0.61	0.63	0.63
Internal height	<b>F</b>	1.94	1.94	1.94	1.94	1.94	1.94	1.94	1.94	1.94	1.94
Door aperture height	<b>G</b>	1.88	1.88	1.88	1.88	1.88	1.88	1.88	1.88	1.88	1.88
Overall height	<b>H</b>	2.7	2.7	2.69	2.69	2.7	2.7	2.69	2.69	2.7	2.7

CAPACITY		weight in kg									
Gross capacity		3,500	3,500	3,500	3,500	3,500	3,500	3,500	3,500	3,500	3,500
Load capacity		2,170	2,170	2,100	2,100	2,155	2,155	2,085	2,085	2,135	2,135

	5523-35-3-10-B	5523-35-3-10-W	6023-35-2-12-B	6023-35-2-12-W	6023-35-3-10-B	6023-35-3-10-W
Body colour	Black	White	Black	White	Black	White

DIMENSIONS cont.		dimensions in metres				
Bed width	<b>A</b>	2.3	2.3	2.3	2.3	2.3
Overall width	<b>B</b>	2.55	2.55	2.55	2.55	2.55
Bed length	<b>C</b>	5.66	5.66	6.16	6.16	6.16
Overall length	<b>D</b>	7.43	7.43	7.93	7.93	7.93
Bed height	<b>E</b>	0.61	0.61	0.63	0.63	0.61
Internal height	<b>F</b>	1.94	1.94	1.94	1.94	1.94
Door aperture height	<b>G</b>	1.88	1.88	1.88	1.88	1.88
Overall height	<b>H</b>	2.69	2.69	2.7	2.7	2.69

CAPACITY cont.		weight in kg				
Gross capacity		3,500	3,500	3,500	3,500	3,500
Load capacity		2,060	2,060	2,075	2,075	2,000

Load capacity will vary depending on options fitted - For accurate information on weights and pricing, use our interactive configurator at [www.brianjamestrailers.co.uk](http://www.brianjamestrailers.co.uk)



# Race Transporter 7

## Equipment cont.

	397-					
	5523-35-3-10-B	5523-35-3-10-B	6023-35-2-12-B	6023-35-2-12-W	6023-35-3-10-B	6023-35-3-10-W
			● Standard	○ Option		
<b>ACCESSORIES</b>						
Awning - available as LH, RH & both	○	○	○	○	○	○
Mains power unit	○	○	○	○	○	○
360° camera	○	○	○	○	○	○
Rear-view camera	○	○	○	○	○	○
Reverse / Rear-view camera	○	○	○	○	○	○
Solar panel	○	○	○	○	○	○
<b>DECK</b>						
Lightweight 'Scaffodeck' floor	●	●	●	●	●	●
Heavy-duty steel deck pads	●	●	●	●	●	●
<b>EXTERIOR</b>						
Additional height (+220mm)	○	○	○	○	○	○
Front access hatches	●	●	●	●	●	●
Split side doors	●	●	●	●	●	●
<b>LIGHTING - EXTERIOR</b>						
Flashing side marker lights	○	○	○	○	○	○
Full LED lighting	●	●	●	●	●	●
Loading lights	●	●	●	●	●	●
Reverse lights	●	●	●	●	●	●
<b>LIGHTING - INTERIOR</b>						
Full LED lighting	●	●	●	●	●	●
<b>LOADING</b>						
Battery w/ charger	●	●	●	●	●	●
Electric tilt-bed	●	●	●	●	●	●
Electric rear door / ramp	●	●	●	●	●	●
Assistor ramps	○	○	○	○	○	○
Race ramps	○	○	○	○	○	○
Electric winch	●	●	●	●	●	●
Heavy-duty electric winch	○	○	○	○	○	○
<b>LOAD RESTRAINT</b>						
Tie-down straps	●	●	●	●	●	●
Wheel chocks / Stop bar	●	●	●	●	●	●
<b>RUNNING GEAR</b>						
Alloy wheels - Anthracite	●	●	●	●	●	●
Spare wheel w/ cover	●	●	●	●	●	●
Additional spare wheel w/ cover	○	○	○	○	○	○
Locking hitch	●	●	●	●	●	●
<b>STORAGE</b>						
Deck storage	●	●	●	●	●	●
Store station	○	○	○	○	○	○
Tyre rack / Workbench / Vice	○	○	○	○	○	○

# Race Transporter 7

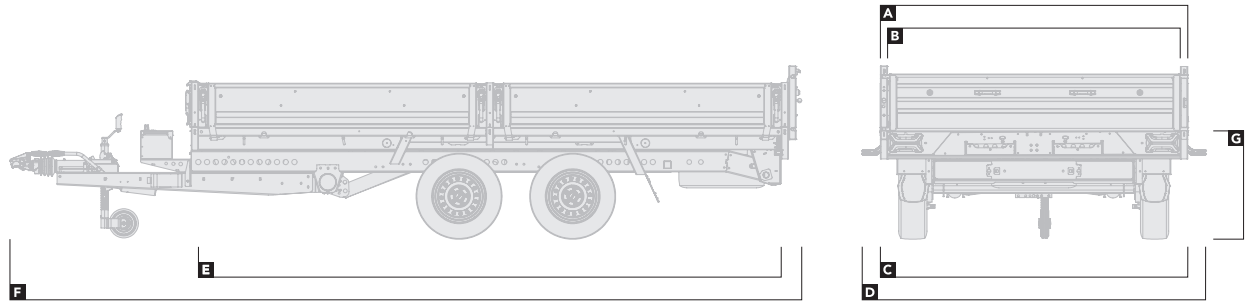
## Loading angles

	<b>397-</b>									
	5520-35-2-12-B	5520-35-2-12-W	5520-35-3-10-B	5520-35-3-10-W	5521-35-2-12-B	5521-35-2-12-W	5521-35-3-10-B	5521-35-3-10-W	5523-35-2-12-B	5523-35-2-12-W
Powered rear door	9°	9°	8°	8°	9°	9°	8°	8°	9°	9°
Powered rear door w/ Assistor ramps	3.5/7°	3.5/7°	3.5/6°	3.5/6°	3.5/7°	3.5/7°	3.5/6°	3.5/6°	3.5/7°	3.5/7°
Powered rear door w/ Race Ramps	4/7°	4/7°	4/5.5°	4/5.5°	4/7°	4/7°	4/5.5°	4/5.5°	4/7°	4/7°

	5523-35-3-10-B	5523-35-3-10-W	6023-35-2-12-B	6023-35-2-12-W	6023-35-3-10-B	6023-35-3-10-W
Powered rear door	8°	8°	9°	9°	8°	8°
Powered rear door w/ Assistor ramps	3.5/6°	3.5/6°	3.5/7°	3.5/7°	3.5/6°	3.5/6°
Powered rear door w/ Race Ramps	4/5.5°	4/5.5°	4/7°	4/7°	4/5.5°	4/5.5°

# Tipper



## Overview

		526-					
		3116-27-2-12	3116-35-2-12	3620-35-2-12	3620-35-3-12	4020-35-2-12	4020-35-3-12
<b>DIMENSIONS</b>		dimensions in metres					
Bed width (excl. sides)	<b>A</b>	1.69	1.69	2.09	2.09	2.09	2.09
Bed width (inc. sides)	<b>B</b>	1.6	1.6	2.0	2.0	2.0	2.0
Overall width (excl. marker lamp)	<b>C</b>	1.71	1.71	2.11	2.11	2.11	2.11
Overall width (inc. marker lamp)	<b>D</b>	–	–	2.34	2.34	2.34	2.34
Bed length	<b>E</b>	3.2	3.2	3.7	3.7	4.1	4.1
Overall length	<b>F</b>	4.53	4.53	5.03	5.03	5.43	5.43
Bed height	<b>G</b>	0.71	0.73	0.73	0.71	0.73	0.71
<b>CAPACITY</b>		weight in kg					
Gross capacity		2,700	3,500	3,500	3,500	3,500	3,500
Load capacity		1,830	2,495	2,361	2,328	2,370	2,300

## Loading angles

		526-					
		3116-27-2-12	3116-35-2-12	3620-35-2-12	3620-35-3-12	4020-35-2-12	4020-35-3-12
Loading ramps - 1.8m		24°	24°	24°	24°	24°	24°
Loading ramps - 2.35m		18°	18°	18°	18°	18°	18°

Load capacity will vary depending on options fitted - For accurate information on weights and pricing, use our interactive configurator at [www.brianjamestrailers.co.uk](http://www.brianjamestrailers.co.uk)

# Tipper

## Equipment

	526-	3116-35-2-12	3116-35-2-12	3620-35-2-12	3620-35-3-12	4020-35-2-12	4020-35-3-12
<b>DECK</b>							
				● Standard	○ Option	– Not available	
Reinforced deck	●	●	●	●	●	●	●
<b>EXTERIOR</b>							
Body trim available in Blue, Red, Anthracite, Black & Yellow	●	●	●	●	●	●	●
Full exterior LED lighting	●	●	●	●	●	●	●
<b>HYDRAULIC RAMS</b>							
Single ram	●	●	–	–	–	–	–
Twin rams	–	–	●	●	●	●	●
<b>LOADING</b>							
Electric winch	○	○	○	○	○	○	○
Loading ramps - 1.8m or 2.35m	○	○	○	○	○	○	○
Support stands	○	○	○	○	○	○	○
<b>LOAD RESTRAINT</b>							
Tie-down straps	○	○	○	○	○	○	○
<b>RUNNING GEAR</b>							
Alloy wheels - Anthracite	○	○	○	○	○	○	○
Battery w/ trickle charger	●	●	●	●	●	●	●
Mains battery charger	○	○	○	○	○	○	○
Locking hitch	●	●	●	●	●	●	●
Spare wheel	●	●	●	●	●	●	●
<b>SIDES</b>							
2-way tailgate - available in 5 colours	●	●	●	●	●	●	●
Side-hinged doors	○	○	○	○	○	○	○
Dropsides - available in 5 colours	●	●	●	●	●	●	●
Double-height side extensions - available in 5 colours	○	○	○	○	○	○	○
Side extensions	○	○	○	○	○	○	○
Heavy-duty side extensions	○	○	○	○	○	○	○
Ladder rack	○	○	○	○	○	○	○
<b>STORAGE</b>							
Storage box	●	●	●	●	●	●	●

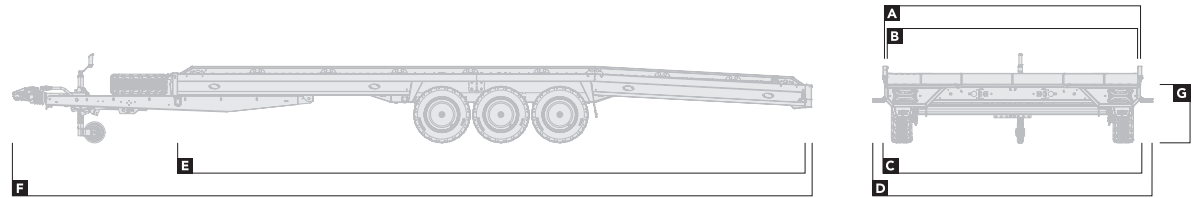
# Tipper

## Equipment

	526-	3116-35-2-12	3620-35-2-12	3620-35-3-12	4020-35-2-12	4020-35-3-12
<b>DECK</b>						
Reinforced deck	●	●	●	●	●	●
<b>EXTERIOR</b>						
Body trim available in Blue, Red, Anthracite, Black & Yellow	●	●	●	●	●	●
Full exterior LED lighting	●	●	●	●	●	●
<b>HYDRAULIC RAMS</b>						
Single ram	●	●	–	–	–	–
Twin rams	–	–	●	●	●	●
<b>LOADING</b>						
Electric winch	○	○	○	○	○	○
Loading ramps - 1.8m or 2.35m	○	○	○	○	○	○
Support stands	○	○	○	○	○	○
<b>LOAD RESTRAINT</b>						
Tie-down straps	○	○	○	○	○	○
<b>RUNNING GEAR</b>						
Alloy wheels - Anthracite	○	○	○	○	○	○
Battery w/ trickle charger	●	●	●	●	●	●
Mains battery charger	○	○	○	○	○	○
Locking hitch	●	●	●	●	●	●
Spare wheel	●	●	●	●	●	●
<b>SIDES</b>						
2-way tailgate - available in 5 colours	●	●	●	●	●	●
Side-hinged doors	○	○	○	○	○	○
Dropsides - available in 5 colours	●	●	●	●	●	●
Double-height side extensions - available in 5 colours	○	○	○	○	○	○
Side extensions	○	○	○	○	○	○
Heavy-duty side extensions	○	○	○	○	○	○
Ladder rack	○	○	○	○	○	○
<b>STORAGE</b>						
Storage box	●	●	●	●	●	●

# T Transporter

## Overview



		231-	4520-30-2-10	4520-35-2-12	4521-35-3-10	4521-35-2-12	5021-35-3-10	5021-35-2-12	5021-35-3-12	5022-35-3-10	5022-35-2-12	5022-35-3-12
<b>DIMENSIONS</b>			dimensions in metres									
Bed width (excl. sides)	<b>A</b>	2.0	2.0	2.14	2.14	2.14	2.14	2.14	2.14	2.28	2.28	2.28
Bed width (inc. sides)	<b>B</b>	1.96	1.96	2.1	2.1	2.1	2.1	2.1	2.1	2.24	2.24	2.24
Overall width (excl. marker lamp)	<b>C</b>	2.04	2.04	2.18	2.18	2.18	2.18	2.18	2.18	2.32	2.32	2.32
Overall width (inc. marker lamp)	<b>D</b>	2.23	2.23	2.37	2.37	2.37	2.37	2.37	2.37	2.51	2.51	2.51
Bed length	<b>E</b>	4.52	4.52	4.52	4.52	5.02	5.02	5.02	5.02	5.02	5.02	5.02
Overall length	<b>F</b>	6.09	6.09	6.09	6.09	6.6	6.6	6.6	6.6	6.6	6.6	6.6
Bed height	<b>G</b>	0.59	0.65	0.59	0.65	0.59	0.65	0.65	0.65	0.59	0.65	0.65

<b>CAPACITY</b>		weight in kg										
Gross capacity		3,000	3,500	3,500	3,500	3,500	3,500	3,500	3,500	3,500	3,500	3,500
Load capacity		2,207	2,672	2,602	2,657	2,540	2,600	2,535	2,530	2,580	2,525	2,525

		5521-35-3-10	5521-35-2-12	5521-35-3-12	5522-35-3-10	5522-35-2-12	5522-35-3-12	5523-35-3-12	6022-35-3-12	6023-35-3-12	
<b>DIMENSIONS</b>		dimensions in metres									
Bed width (excl. sides)	<b>A</b>	2.14	2.14	2.14	2.28	2.28	2.28	2.42	2.28	2.42	
Bed width (inc. sides)	<b>B</b>	2.1	2.1	2.1	2.24	2.24	2.24	2.38	2.24	2.38	
Overall width (excl. marker lamp)	<b>C</b>	2.18	2.18	2.18	2.32	2.32	2.32	2.46	2.32	2.46	
Overall width (inc. marker lamp)	<b>D</b>	2.37	2.37	2.37	2.51	2.51	2.51	2.65	2.51	2.65	
Bed length	<b>E</b>	5.52	5.52	5.52	5.52	5.52	5.52	5.52	6.02	6.02	
Overall length	<b>F</b>	7.1	7.1	7.1	7.1	7.1	7.1	7.1	7.6	7.6	
Bed height	<b>G</b>	0.59	0.65	0.65	0.59	0.65	0.65	0.65	0.65	0.65	

<b>CAPACITY</b>		weight in kg									
Gross capacity		3,500	3,500	3,500	3,500	3,500	3,500	3,500	3,500	3,500	3,500
Load capacity		2,512	2,575	2,507	2,482	2,542	2,472	2,442	2,442	2,420	2,420

Load capacity will vary depending on options fitted - For accurate information on weights and pricing, use our interactive configurator at [www.brianjamestrailers.co.uk](http://www.brianjamestrailers.co.uk)





# T Transporter

## Loading angles

	231-																			
	4520-30-2-10		4520-35-2-12		4521-35-3-10		4521-35-2-12		5021-35-3-10		5021-35-2-12		5021-35-3-12		5022-35-3-10		5022-35-2-12		5022-35-3-12	
	Fixed	Tilt	Fixed	Tilt	Fixed	Tilt	Fixed	Tilt	Fixed	Tilt	Fixed	Tilt	Fixed	Tilt	Fixed	Tilt	Fixed	Tilt	Fixed	Tilt
Loading ramps - 1.8m	16.5°	18.5°	18.5°	-	20.5°	-	20.5°	-	20.5°	-	18.5°	8°	20.5°	8°	18.5°	8°	20.5°	8°	20.5°	8°
Loading ramps - 1.8m w/ Assistor ramps	3.5/14°	3.5/16.5°	14°	-	15.5°	-	15.5°	-	15.5°	-	14°	6°	15.5°	6°	14°	6°	15.5°	6°	15.5°	6°
Loading ramps - 2.35m	12.5°	14°	-	-	-	-	-	-	-	-	-	19°	-	18.5°	-	19°	-	18.5°	-	18.5°
Loading ramps - 2.35m w/ Assistor ramps	3.5/10.5°	3.5/12.5°	-	-	-	-	-	-	-	-	-	6.5/16°	-	6.5/15.5°	-	6.5/16°	-	6.5/15.5°	-	6.5/15.5°

	5521-35-3-10		5521-35-2-12		5521-35-3-12		5522-35-3-10		5522-35-2-12		5522-35-3-12		5523-35-3-12		6022-35-3-12		6023-35-3-12	
	Fixed	Tilt	Fixed	Tilt	Fixed	Tilt	Fixed	Tilt	Fixed	Tilt	Fixed	Tilt	Fixed	Tilt	Fixed	Tilt	Fixed	Tilt
	Loading ramps - 1.8m	18.5°	8°	20.5°	8°	20.5°	8°	18.5°	8°	20.5°	8°	20.5°	8°	18.5°	8°	20.5°	8°	20.5°
Loading ramps - 1.8m w/ Assistor ramps	14°	6°	15.5°	6°	15.5°	6°	14°	6°	15.5°	6°	15.5°	6°	14°	6°	15.5°	6°	15.5°	6°
Loading ramps - 2.35m	-	19°	-	18.5°	-	18.5°	-	19°	-	18.5°	-	18.5°	-	19°	-	18.5°	-	18.5°
Loading ramps - 2.35m w/ Assistor ramps	-	6.5/16°	-	6.5/15.5°	-	6.5/15.5°	-	6.5/16°	-	6.5/15.5°	-	6.5/15.5°	-	6.5/16°	-	6.5/15.5°	-	6.5/15.5°